

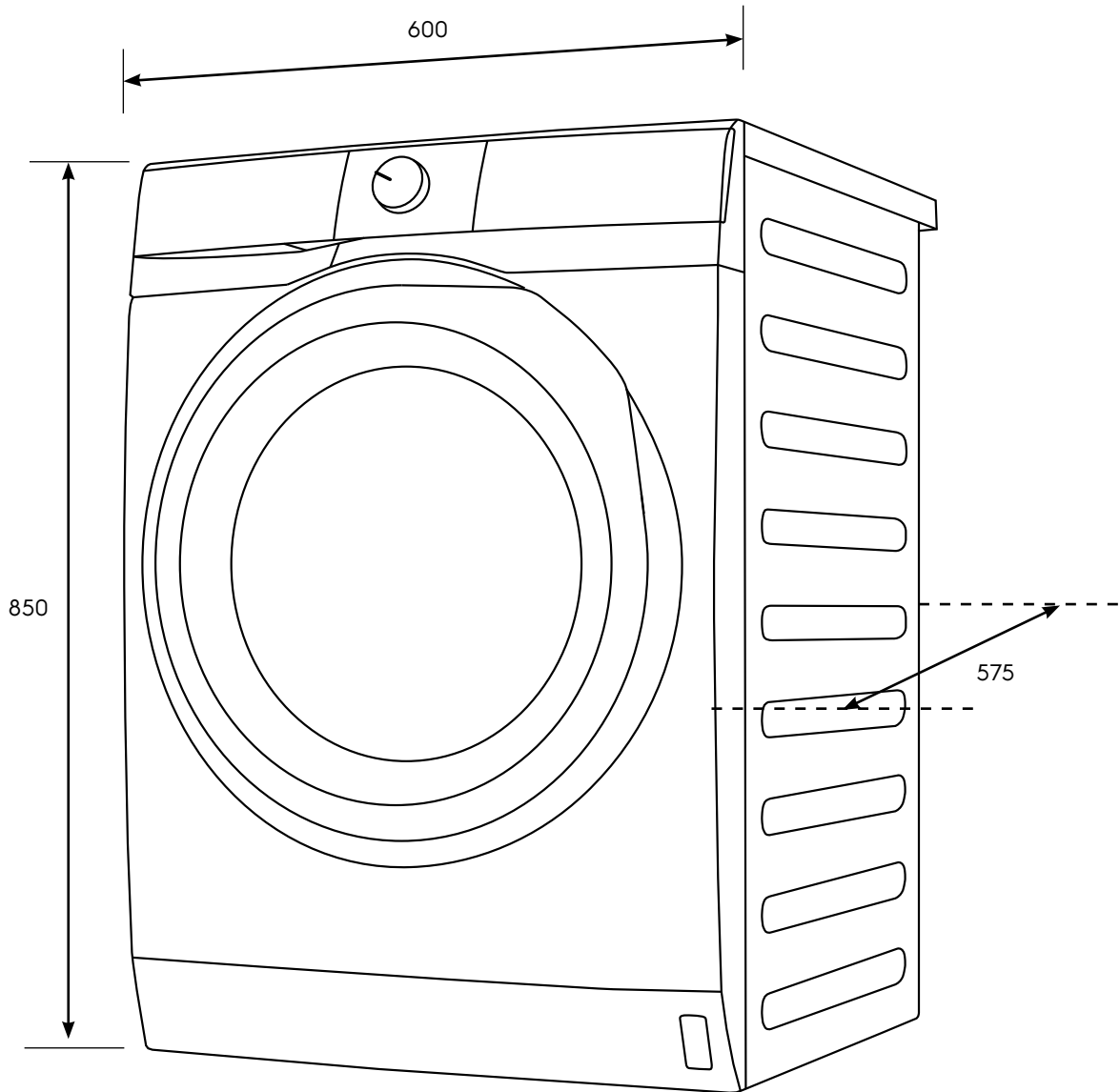
# Dimension Guide

## Front load washing machine

**Model:**  
EWF8024D3WC

### Dimensions

	width	height	depth
Product (mm)	600	850	575



**Please note!** Dimensions to be used as a guide only. All customers MUST refer to the user manual supplied with the product for detailed installation instructions.

© 2024 Electrolux S.E.A PTE. LTD. ELX\_DIM\_EWF8024D3WC\_SG-PH\_Mar24