

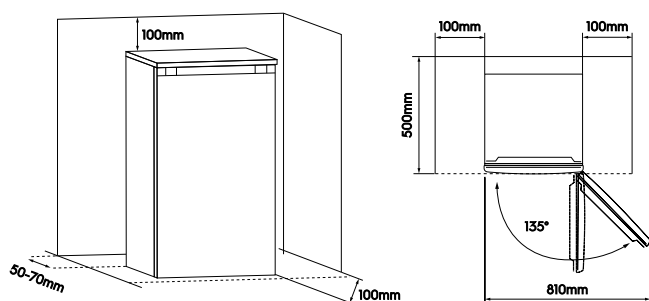
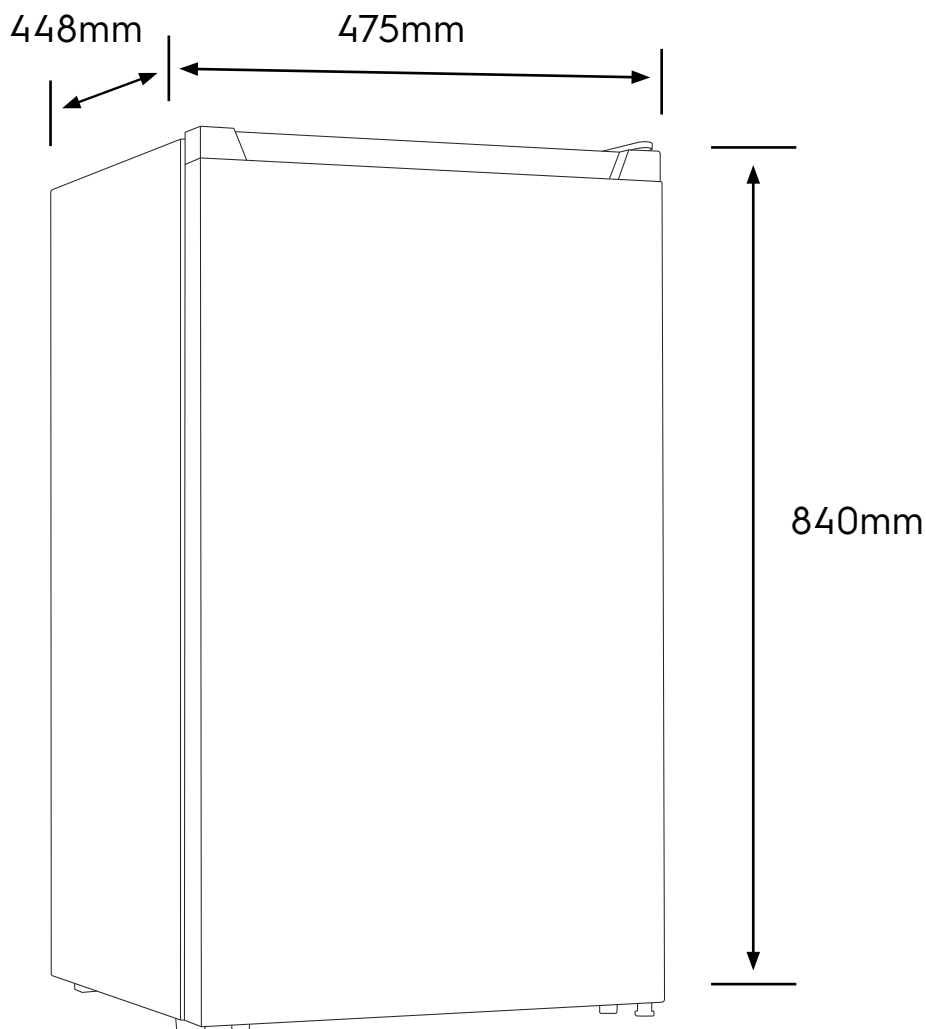
# Dimension Guide

## Bar Fridge

**Model:**  
EUM0930BD

### Dimensions

	width	height	depth
Product (mm)	475	840	448



**Suggest:** It is advisable for there to be 50-70mm of space from the back to the wall, at least 100mm from its top, at least 100mm from its side to the wall and a clear space upfront to allow the doors to open 135°. As shown in follow diagrams.

**Please note!** Dimensions to be used as a guide only. All customers MUST refer to the user manual supplied with the product for detailed installation instructions.

© 2021 Electrolux S.E.A PTE. LTD. E\_DIM\_EUM0930BD\_Oct21