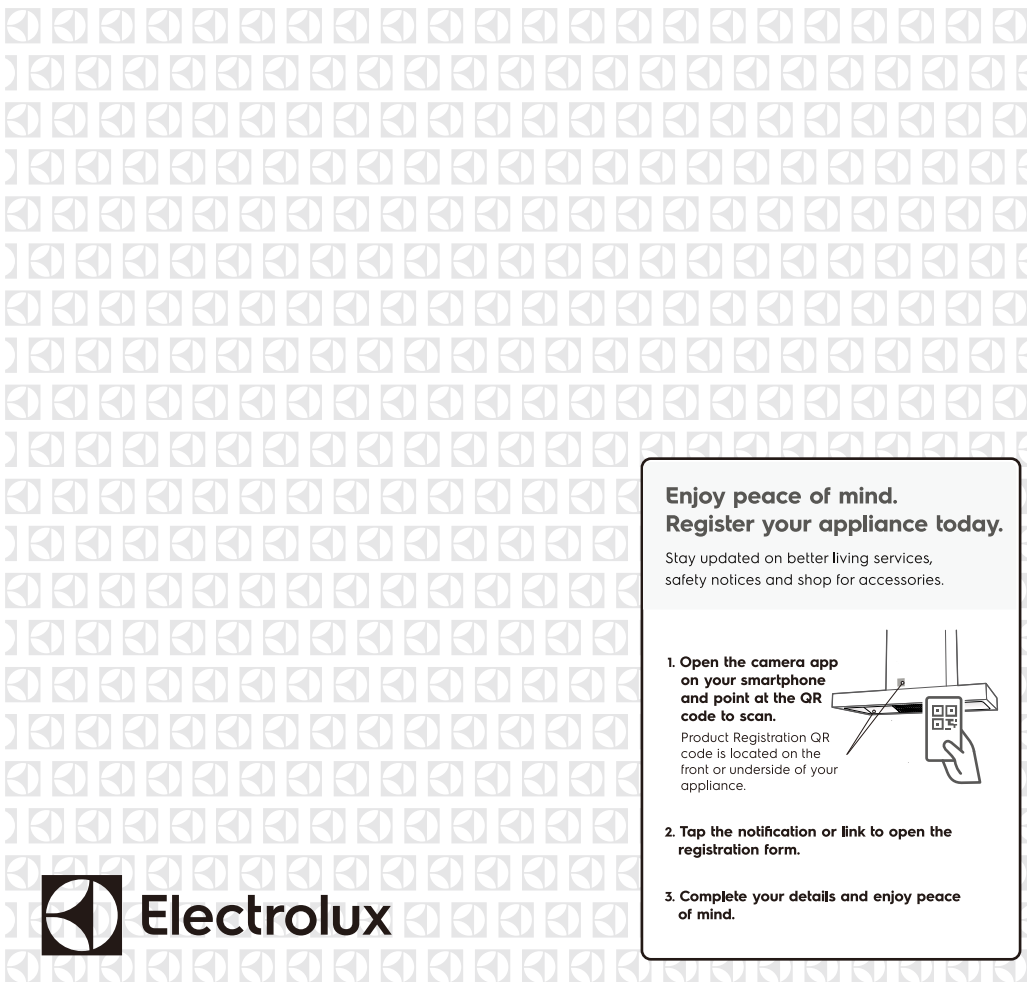




ECT9754H

EN	Cooker Hood	User Manual	2
中文	抽油煙機	使用手冊	14

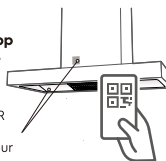


**Enjoy peace of mind.
Register your appliance today.**

Stay updated on better living services,
safety notices and shop for accessories.

1. **Open the camera app on your smartphone and point at the QR code to scan.**

Product Registration QR code is located on the front or underside of your appliance.



2. **Tap the notification or link to open the registration form.**
3. **Complete your details and enjoy peace of mind.**



Electrolux

WE'RE THINKING OF YOU

Thank you for purchasing an Electrolux appliance. You've chosen a product that brings with it decades of professional experience and innovation. Ingenious and stylish, it has been designed with you in mind. So whenever you use it, you can be safe in the knowledge that you'll get great results every time. Welcome to Electrolux.

BEFORE USING YOUR APPLIANCE

Before you use the rangehood, we recommend that you read through the whole user manual which provides the description of the rangehood and its functions. To avoid the risks that are always present when you use an electrical appliance, it is important that the rangehood is installed correctly and that you read the safety instructions carefully to avoid misuse and hazards.

For future reference, please store this booklet in a safe place.

CONDITIONS OF USE

This appliance is intended to be used in household and similar applications such as

- Staff kitchen areas in shops, offices and other working environments
- Farm houses
- By clients in hotels, motels and other residential type environments
- Bed and breakfast type environments

BEFORE YOU CALL

Please ensure you read the instruction manual fully before you call for service, or a full service fee could be applicable.

RECORD MODEL AND SERIAL NUMBER HERE:

Model: _____

Serial NO: _____

CONTENTS

- 3 **Safety information**
- 4 **Product description**
- 5 **Dimensions**
- 6 **Rangehood installation**
- 9 **Using the rangehood**
- 10 **Maintenance and cleaning**
- 11 **Troubleshooting**
- 12 **Consumer Care Center**

LEGEND



WARNING!

This symbol indicates information concerning your personal safety



CAUTIONS!

This symbol indicates information on how to avoid damaging the rangehood.



IMPORTANT!

This symbol indicates tips and information about use of the rangehood.



ENVIRONMENT!

This symbol indicates tips and information about economical and ecological use of the rangehood.

RoHS Compliant.

If at any time in future you need to dispose of this product please do Not dispose of this product with household waste, please send this product to collecting points where available

This product is RoHS compliant.

SAFETY INFORMATION

This manual explains the proper use of your new Electrolux canopy rangehood. Please read this manual carefully before using the product. This manual should be kept in a safe place for handy reference.

This rangehood is a domestic appliance which has been manufactured and tested to comply with International Standard IEC 60335.2.31.














Read the following carefully to avoid damage or injury.

 This symbol indicates never to do this

 This symbol indicates always do this

 **WARNING!**

Follow these instructions carefully to avoid an electric shock or fire.

-  Young children should be supervised to ensure they do not play with the rangehood.
-  This appliance is not intended for use by persons (including children) with reduced physical, sensory or mental capabilities, or lack of experience and knowledge, unless they have been given supervision or instruction concerning the use of the appliance by a person responsible for their safety.
-  Ensure the rangehood is switched off before carrying out maintenance, to avoid any possibility of electric shock.
-  Never carry out flame cooking under the rangehood.
-  This rangehood is not recommended for barbecues.
-  This rangehood cannot be installed for external use.
-  Grease filters must be removed every Two weeks (maximum) for cleaning to reduce the risk of fire.
-  The exhaust from the rangehood must not be discharged into any heating flue, which may carry combustion products from other sources.(Fig.1)
-  The exhaust air must not be discharged into a wall cavity, unless the cavity is designed for the purpose.
-  There must be adequate ventilation of the room when the rangehood is used at the same time as appliances burning gas or other fuels.
-  Always cover lit gas burners with pots or pans when rangehood is in use.
-  Always switch off gas burners before you remove pots or pans.
-  Do not leave lit gas burners exposed due to the risk of fire.(Fig.2)

Electrical connection

Check that the mains voltage matches with the voltage on the data plate inside the rangehood. Check that the installation complies with standards of local building, gas and electrical authorities. Before connecting to the mains supply ensure that the mains voltage corresponds to the voltage on the rating plate inside the rangehood. If the supply cord is damaged, it must be replaced by the manufacturer or its service agent or similarly qualified person in order to avoid a hazard.

Safety warnings For the installer

When installing the rangehood, make sure you adhere to the minimum and maximum distances from the rangehood base to the hob surface (as per table on page 6).

Exhaust flue installation: The following rules must be strictly followed to obtain optimal air extraction.

- Keep exhaust flue short and straight
- Do not reduce the size or restrict exhaust flue.
- Keep bends in the exhaust flue to a minimum.
- When using flexible flue always install duct with helix pulled taut to minimise pressure loss.
- Failure to observe these basic instructions will drastically reduce the performance and increase the noise levels of the range hood.

Exhaust air must not be discharged into a wall cavity, unless the cavity is designed for the purpose. The exhaust from the cooker hood must not be discharged into any heating flue, which may carry combustion products from other sources.

NOTE: Some installations may require the telescopic exhaust cover to be cut to length. Cut with sharp tin snips or a fine-tooth hack saw blade, taking care not to distort or dent the exhaust cover.

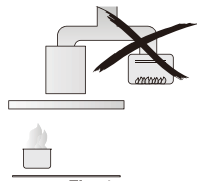
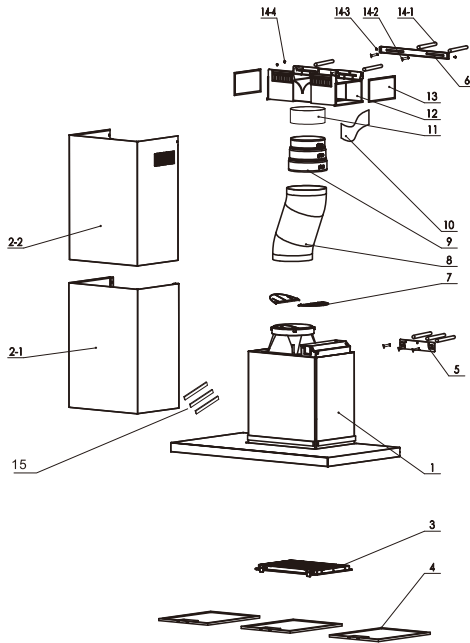


Fig. 1



Fig. 2

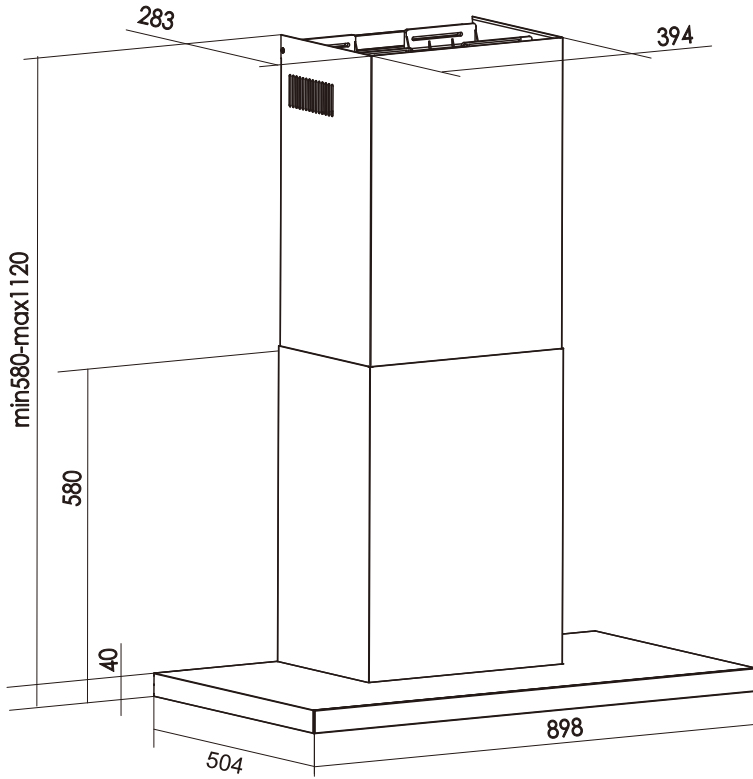
PRODUCT DESCRIPTION



COMPONENTS

Ref	Qty	Product Components
1	1	Hood Body
2-1	1	Outer Flu Cover
2-2	1	Inner Flu Cover
3	1	Charcoal Filter
4	3	Alu Filter
5	1	Hanger
6	1	Flu Cover Mounting Bracket
7	2	Damper(flaps)
8	1	Aluminum Exhaust Transition Duct
9	1	Reducing Adapter Tube
10	2	Aluminum Foil
11	1	Duct Sleeve(Connet the duct with recirculating T-pieces)
12	1	Recirculating T-pieces
13	2	Sponge ring
14-1	7	Plastic Expansion Plug
14-2	7	Mounting Screws(ST 5X50MM)
14-3	2	Flu Cover Mounting Bracket Screws (M4x10)
14-4	4	T-pieces fixing screws (ST4x10)
15	3	Sponge strip

DIMENSIONS



RANGEHOOD INSTALLATION

! WARNING!

Refer to "Safety information" chapter

i BEFORE INSTALLATION

Before the installation of the appliance, record the information below from the rating plate. The rating plate is on the bottom of the appliance casing.

Model _____

PNC _____

Serial number _____

- Using a spirit level mark a vertical centre line on the wall where the cooker hood is to be positioned, and a horizontal line at the cooker hood base position (refer diagram below).

NOTE: The height of the underside of the hood body must be a minimum of 650mm to a maximum height of 800mm*

* If the instructions of the hob specify a greater distance than the minimum above, then that shall be the minimum height for installation.

- Mark the location for flue cover wall mounting brackets and cooker hood mounting points above the hood base as the reference point (Fig. 6).

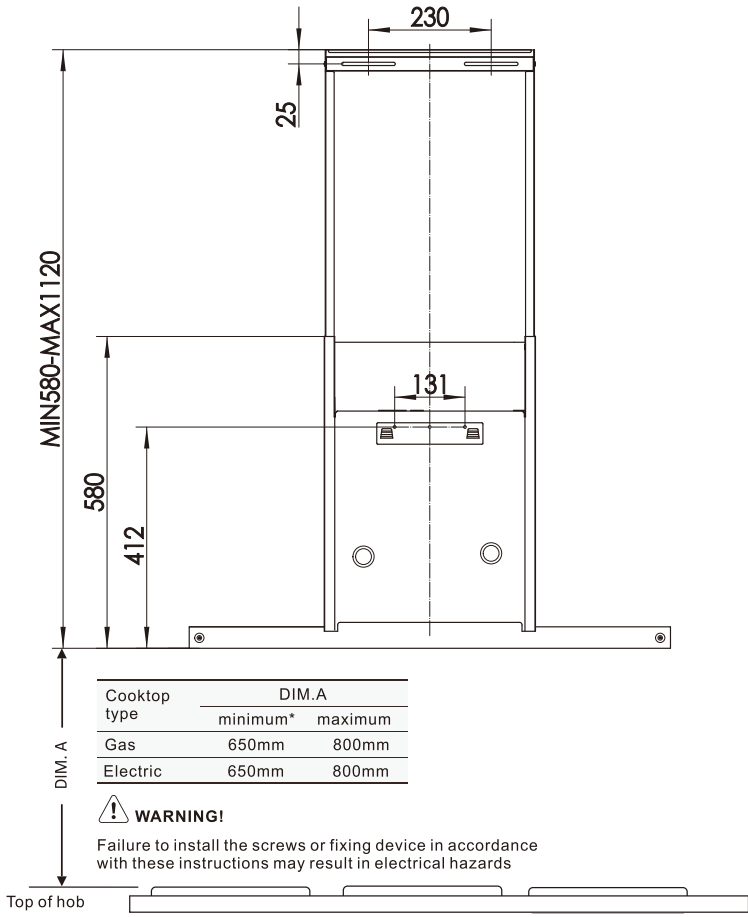


Fig6

3. Install the flue cover mounting and wall brackets with screws to the wall as marked (Fig.7). Please mounted recirculating T pieces together with flue cover bracket if recirculating mode is used. (Fig.9)

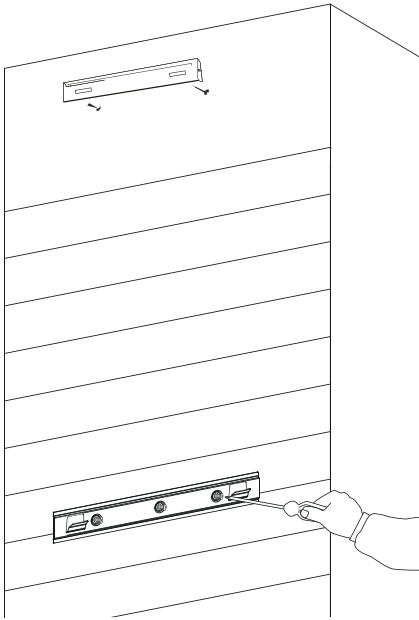


Fig7

4. Remove protective plastic film, if present, from the hood body and hang on the wall bracket.

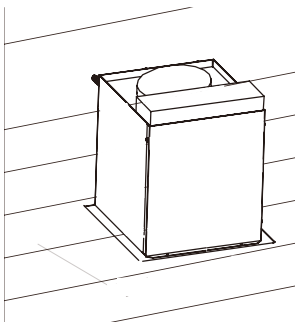


Fig. 8

Depending on the preferred installation/ducting mode, follow step 5a or 5b below.

5a. Recirculating mode (Fig. 9).

According to the flue cover dimension, fix the T-piece by 4 screws Supplied. Adhesive two sponges to the outlet of T-piece as shown (Fig.9)

Using the centre line, secure the recirculating T-piece and Chimney mounting bracket to the wall.

Connect the T-Piece and flue transition duct with a duct sleeve. Use fixing ring to secure them. (Fig.11)

NOTE: When installed in recirculating mode, it is recommended to use a carbon filter to prevent odours being emitted back into the room.

5b. Ducted mode (Fig 10.)

Fit the flexible flue to the duct transition (Fig.10). Use fixing to secure flexible pipe to the duct transition.

NOTE: For ducted mode, we recommend extending flue pipe through the roof to external "roof cap" to vent exhaust externally. We do not recommend venting into ceiling cavity.

NOTE: To ensure optimum performance of the rangehood, the use of rigid ducting is recommended. the use of bends should be avoided. All ducting must be fire retardant.

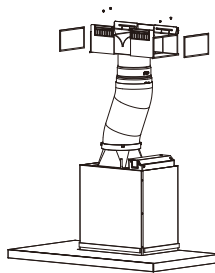


Fig. 9

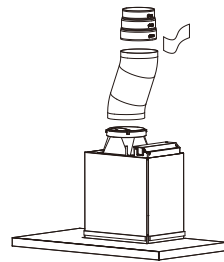


Fig. 10

RANGEHOOD INSTALLATION

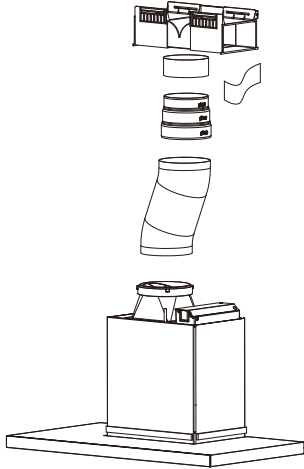


Fig. 11

6. Electrical connection

- Electrical wiring must be done by a qualified person(s) in accordance with all applicable codes and standards. Turn off electrical power at service entrance before wiring.
- If the power cord is damaged, it must be replaced by manufacturer, its agent or similarly qualified persons in order to avoid hazard.
- Do not use the plug and an extension cord other than the ones initially supplied with the hoods.
- The earthing of this hood is compulsory. Do not remove the ground prong of the plug.

7. Installation of telescopic flue covers

Separate the flue covers section. Carefully reassemble the upper and lower flue covers sections by sliding the inner into the outer flue cover. Carefully lower the assembled upper and lower flue covers onto the top of cooker hood body. Fix upper flue cover to the mounting bracket with screws supplied. Ensure that the upper section is extended (Fig.12).

NOTE: Carefully remove the plastic protective coating, if present, from the flue covers. Pay particular attention when removing protective plastic coating from decals.

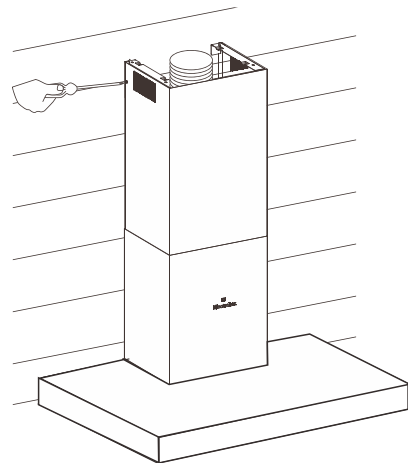
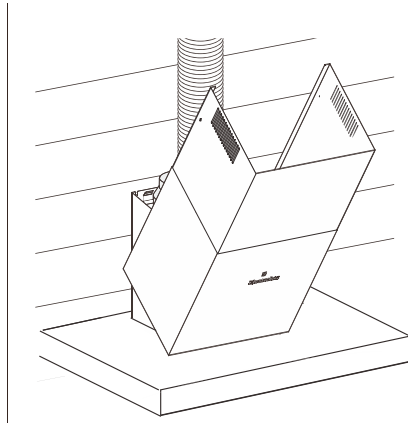


Fig.12

Your Electrolux rangehood is now ready to use

USING THE RANGEHOOD

ECT9754H



Fan – select speed to suit cooking conditions

ⓘ – Fan on/off

1 (🌀) – While heating up food, cooking with covered pots, light frying, light boiling

2 (🌀) – While cooking with covered pots on multiple cooking zones or burners, frying, boiling

3 (🌀) – While boiling, frying big quantities of food without a lid, cooking on multiple cooking zones or burners, grilling, intensive frying, wok cooking

Power Boost

– While boiling, frying large quantities of food without a lid and of high humidity. Suitable fan speed for cooking that generates high amount of cooking fumes.

When operating at maximum speed, the hood will return to previous setting after 1 minute.

💡 – Light

Turning on the fan

Pressing the ⓘ will turn on the hood at fan speed 2 or the last used fan speed (except for Power Boost speed) with the light on.

Turning off the fan


Pressing the ⓘ will turn off the hood at any fan speed.

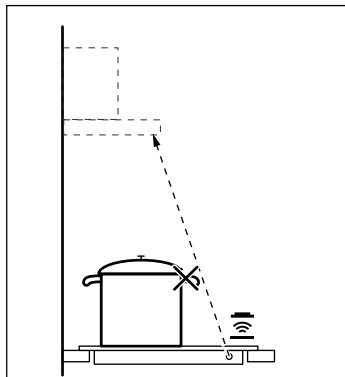
Hob2Hood

This is an advanced automatic function which connects the hob to a special hood. Both the hob and the hood have an infra-red signal communicator. Speed of the fan is defined automatically on basis of mode setting and temperature of the hottest cookware on the hob. You can also operate the fan from the hob manually.

Hints and Tips for Hob2Hood function



When you operate the hob with Hob2Hood function:

- Protect the hood panel from direct sunlight.
 - Do not spot halogen light on the hood panel.
 - Do not cover the hob panel.
 - Do not interrupt the signal between the hob and the hood (for example with a hand or a cookware handle).
- When Hob2Hood is triggered by hob, the ⓘ and  indicators will be on. This indicates that the Hob2Hood is active.



IMPORTANT!

It may happen that other remote controlled appliances may block the signal. To avoid it do not operate the remote of the appliance and the hob at the same time.

Rangehoods with the Hob2Hood function
To find the full range of rangehoods which work with this function refer to our consumer website. The rangehoods that work with this function must have the symbol  or .

MAINTENANCE AND CLEANING

CAUTION!

- Before maintenance or cleaning is carried out, the rangehood should be disconnected from the main power supply. Ensure that the rangehood is switched off at the wall socket and the plug removed if fitted.
- External surface are susceptible to scratches and abrasions, so please follow the cleaning instructions to ensure the best possible result is achieved without damage.
- These instructions must be followed to avoid a fire risk.

Stainless steel surface

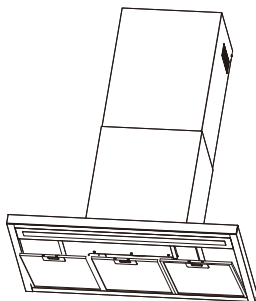
Clean stainless steel surface using non-abrasive cleaning products that specifically for use on stainless steel. To ensure best results also use an even pressure and follow the grain of the stainless steel. Use of a soft cloth reduces the risk of scratching. If the cloth is wet ensure that a dry soft cloth is used to wipe down the surface again reducing the risk of any surface rust appearing.

Control panel surface

The control panel can be cleaned using warm soapy water. Ensure the cloth is well wrung before cleaning. Use a dry soft cloth to remove any excess moisture left after cleaning.

Removing the metal grease filters

Push the grease filter towards the left side of the unit and then pull it down.



Hand washing

The mesh filters can be cleaned by hand in warm soapy water. Soak in warm water and some washing up liquid. For stubborn grease stains use a soft nylon brush to help remove these stains. After cleaning ensure that the filters are completely dry before refitting.

Dishwasher

Place grease filters in the dishwasher. Select the most powerful washing program and highest temperature, at least 65. Refit the grease filters when they are dry. When washing the metal grease filter in the dishwasher a slight discolouration of the filter can be occur, this does not have any impact on its performance.

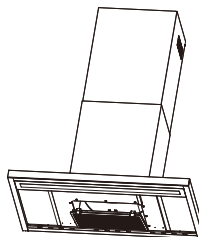
Changing the lamps

Lamps are long life LED lamps and should not require service. If there is an issue with lamp please contact the Service Center, Service contact details shown on page 12.

Charcoal filter

- The charcoal filter should only be used if you want to use the cooker hood in the recirculating mode.
- This filter cannot be cleaned or re-used end as general rule, the activated charcoal filter should be changed one every 3 months.

To fit the filter, lock it until stop click is heard
Pulling out each latch, tilt the filter down and remove



- Always specify the cooker hood model code number and serial number when ordering replacement filters. This information is shown on the registration plate located on the inside of this unit.
- Replacement charcoal filters can be ordered from you local spare parts centre, contact details are shown on page 12.

TROUBLESHOOTING

Problem	Remedy
The cooker hood will not start	Check that the hood is connected to an electrical supply Check that a fan speed has been selected
The Rangehood is not working	Check that the fan speed is set high enough for the task The grease filters are clean The kitchen is adequately vented to allow the entry of fresh air If set up for recirculation, check that the charcoal filter is still effective If set up for extraction, check that the duct and outlets are not blocked Do not operate cooktop without pots/pans Do not flambe under cooktop
The rangehood has switched off during operation	The safety cut-out device has been tripped-turn off the hob and wait for the device to reset. If the hood has been installed below the heights indicated in the installation instructions the motor will cut out frequently which will damage the hood

If you have completed all the above checks and are still experiencing difficulty, please contact your local Electrolux Service Centre.

Note: This product is fitted with a safety cutout device.

- If the rangehood is installed too close to the cooker top, flambe cooking, operating the cooktop without cooking utensils and blocked filters may activate the safety cutout device. If the hood stops during operation, correct the faults and allow time for the safety cutout device to reset. Then the rangehood will function correctly.
- Do not operate cooktop without pots/pans
- Do not flambe under cooktop

CONSUMER CARE CENTER

<p>Thailand Consumer Care Tel : (+66 2) 725 9000 Electrolux Thailand Co., Ltd. Electrolux Building 14th Floor 1910 New Phetchaburi Road, Bangkapi, Huai Khwang, Bangkok 10310 Office Tel : (+66 2) 7259100 Office Fax : (+66 2) 7259299 Email : customercareshai@electrolux.com</p>	<p>Singapore Consumer Care Center Tel: (+65) 6727 3699 Electrolux S.E.A. Pte Ltd. 351 Braddell Road #01-04, 351 On Braddell Singapore 579713 Email : customer-care.sin@electrolux.com</p>
<p>Indonesia Hotline service: 08041119999 PT. Electrolux Indonesia Electrolux Building Jl.Abdul Muis No.34, Petojo Selatan, Gambir Jakarta Pusat 10160 Email:customer-care@electrolux.co.id SMS & WA : 0812.8088.8863</p>	<p>Philippines Consumer Care Center Toll Free: 1-800-10-845-CARE(2273) Consumer Care Hotline:(+63 2)845-CARE(2273) Electrolux Philippines,Inc. Unit B 12F Cyber Sigma Bldg. Lawton Avenue, McKinley West,Taguig, Philippines 1634 Trunkline:+63 2 737-4757 Website:www.electrolux.com.ph Email:wecare@electrolux.com</p>
<p>Vietnam Consumer Care Center Toll Free 1800-58-88-99 Tel: (+84 28) 39105465 Electrolux Vietnam Ltd. Unit 1&2, 10F Sofic Tower, #10 Mai Chi Tho Street, Thu Thiem Ward, Thu Duc City, Ho Chi Minh City, Vietnam</p>	<p>Malaysia Consumer Care Center Tel: 1300-88-11-22 Electrolux Home Appliances Sdn. Bhd. Corporate Office Address: Unit T2-7, 7th Floor, Tower 2, PJ33, No. 3, Jalan Semangat, Seksyen 13, 46200 Petaling Jaya, Selangor. Office Tel : (+60 3) 7843 5999 Office Fax : (+60 3) 7955 5511 Consumer Care Center Address: Lot C6, No. 28, Jalan 15/22, Taman Perindustrian Tiong Nam, 40200 Shah Alam, Selangor Consumer Care Center Fax : (+60 3) 5524 2521 Email : malaysia.customer-care@electrolux.com</p>
<p>HONG KONG SERVICE HOTLINE: (+852) 3193 9888 DCH ELECTRICAL APPLIANCES SERVICE CENTRE 4/F, DCH BUILDING, 20 KAI CHEUNG ROAD, KOWLOON BAY, HONG KONG EMAIL: customer-care@dch.com.hk WEBSITE: www.electrolux.com.hk</p>	

www.electrolux.com

The Thoughtful Design Innovator.

Do you remember the last time you opened a gift that made you say, “Oh! How did you know? That’s exactly what I wanted!” That’s the kind of feeling that we at Electrolux seek to evoke in everyone who chooses or uses one of our products. We devote time, knowledge, and a great deal of thought to anticipating and creating the kind of appliances that our customers really need and want.

This kind of thoughtful care means innovating with insight. Not design for design’s sake, but design for the user’s sake. For us, thoughtful design means making appliances easier to use and tasks more enjoyable to perform, freeing our customers to experience the ultimate 21st century luxury: ease of mind. Our aim is to make this ease of mind more available to more people in more parts of their everyday lives, all over the world.

The “Thinking of you” promise from Electrolux goes beyond meeting the needs of today’s consumers. It also means we’re committed to making appliances safe for the environment—now and for future generations.

Electrolux. Thinking of you.

Share more of our thinking at
www.electrolux.com

以您需求設想

由衷感謝您購買 Electrolux 家電用品。您所選擇的是一款集數十年專業經驗及創新於一身的產品。精巧的時尚風格，以您的需求為中心而設計。因此不論何時，您都可以放心地使用且每次都能得到極佳的效果。歡迎來到 Electrolux。

使用前

使用本抽油煙機之前，建議您詳閱整本使用手冊以熟悉本抽油煙機及功能的說明。為了避免在使用電器用品時始終存在的風險，請務必正確安裝本抽油煙機且詳閱各項安全說明以避免使用不當及危險發生。

請將本手冊存放於妥善之處，以備未來參考。

使用條件

本抽油煙機主要用於家庭及類似的應用，例如：

- 商店、辦公室及其他工作環境中的員工廚房區域
- 農舍
- 酒店、汽車旅館及其他住宅型環境的客戶
- 住宿加早餐 (民宿) 型環境

申請維修之前

在申請維修服務之前，請確保您已詳閱使用說明書，否則可能須支付全額的維修費用

請將型號及序號記錄於下方空格處：

型號：_____

序號：_____

目錄

- 15 安全資訊
- 16 產品說明
- 17 尺寸
- 18 抽油煙機安裝
- 21 使用抽油煙機
- 22 保養及清潔
- 23 故障排除
- 24 消費者關懷中心

圖例說明



警告！

此符號表示有關您個人安全的資訊



注意！

此符號表示如何避免損壞抽油煙機的資訊。



重要！

此符號表示使用抽油煙機有關的提示及資訊。



環境！

此符號表示使用抽油煙機有關經濟和生態的提示及資訊。

RoHS

合規。

如果將來任何時候您需要處置本產品時，「切勿」將本產品與家庭廢棄物一起處置，請將本產品送至適當的回收據點

本產品符合 RoHS 法規。

安全資訊

本手冊說明如何正確使用全新 Electrolux 抽油煙機。使用產品之前，請詳閱本手冊。本手冊應保存於妥善之處，以便於參考。

本抽油煙機是款製造及測試符合 IEC 60335.2.31 國際標準的家用電器。

請詳閱以下內容以避免損壞或受傷。

- ⊘ 此符號表示嚴禁如此操作
- ⊙ 此符號表示務必如此操作

警告！

請仔細遵循這些說明；以避免觸電或引起火災。

- ⊙ 應對年幼的兒童嚴加看管，以確保兒童不會玩本抽油煙機。
- ⊘ 本抽油煙機並不適合身體、感官或心智能力上有缺陷，或缺乏相關經驗及知識的人（包括兒童）使用，除非有負責他們安全的人在他們使用時予以監督或指導。
- ⊙ 在進行保養作業前，請確保抽油煙機已經關閉以避免任何觸電的可能性。
- ⊘ 嚴禁於抽油煙機下方做澆酒點火的烹飪。
- ⊘ 不建議在進行燒烤時使用本抽油煙機。
- ⊘ 本抽油煙機不能安裝於戶外使用。
- ⊙ 每 2 週（最多）必須將油脂過濾器拆下清潔一次，以降低火災的風險。
- ⊘ 抽油煙機的排風不得排入任何加熱煙道，否則可能會攜帶其他來源的燃燒產物。（圖 1）
- ⊘ 排風不得排放到牆壁孔洞，除非孔洞是針對此種用途而設計。
- ⊙ 當抽油煙機與燃燒瓦斯或其他燃料的器具同時使用時，室內的通風必須充足。
- ⊙ 在使用抽油煙機時，請務必用鍋具或平底鍋蓋住點燃的瓦斯爐。
- ⊙ 在移走鍋具或平底鍋之前，請務必先關閉瓦斯爐。
- ⊘ 切勿將點燃的瓦斯爐暴露在外，以避免發生火災的風險。（圖 2）

電氣連接

請檢查電源電壓是否與抽油煙機內側銘牌上的電壓相符。請檢查安裝是否符合當地建築、天然氣及電力主管機關的標準。在連接電源之前，請確保電源電壓與抽油煙機內側銘牌上的電壓一致。若電源線損壞時，請務必交由原廠商或其服務代理商或具備同樣資格的維修人員做更換，以免發生危險。

安裝時應注意的安全警告事項

在安裝抽油煙機時，請確實遵循從抽油煙機基座到爐盤表面的最小及最大距離（按照第 6 頁的表格所示）。

排風管安裝：請務必嚴格遵循以下規定，以得到最佳的排風吸力。

- 保持排風管短且筆直
- 切勿縮減尺寸或限制排風管。
- 保持最小的排風管彎度。
- 使用撓性風管時，請務必用螺旋拉緊方式（helix pulled taut）安裝管道，以盡量減少壓力損失。
- 如未能遵循這些基本規定，將導致抽油煙機的效率大幅降低及噪音變大。

排風不得排放到牆壁孔洞，除非孔洞是針對此種用途而設計。抽油煙機的排風不得排入任何加熱煙道，否則可能會攜帶其他來源的燃燒產物。

註：有些安裝可能需要將拉出式排風護罩切割成一定長度。使用銳利的鐵皮剪或細齒鋼鋸片切割時，請小心勿導致排風護罩變形或凹陷。

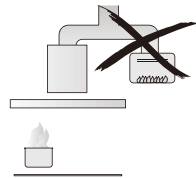


圖 1

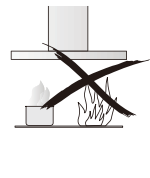
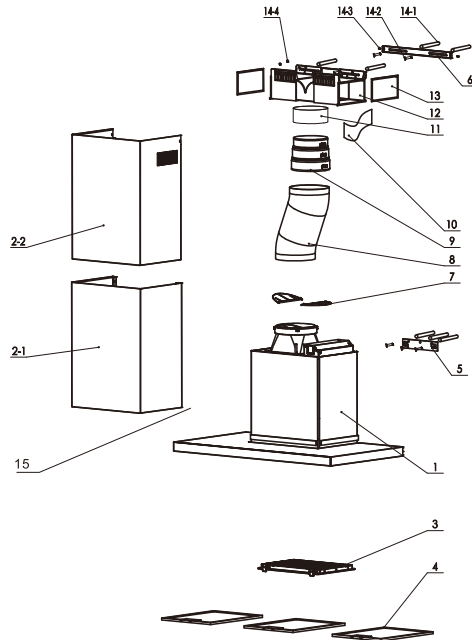


圖 2

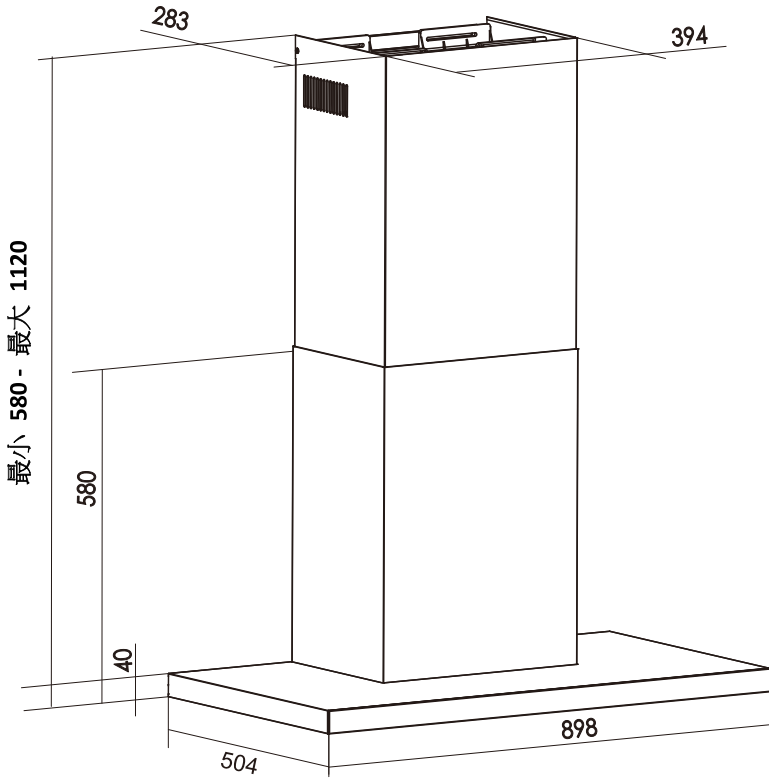
產品說明



配件

參考編號	數量	產品配件
1	1	抽油煙機機身
2-1	1	外風管護罩
2-2	1	內風管護罩
3	1	活性炭過濾器
4	3	鋁質過濾器
5	1	吊掛架
6	1	風管護罩安裝 (掛壁) 支架
7	2	風門 (皮瓣)
8	1	鋁質排風過渡管道
9	1	漸縮式轉接管
10	2	鋁箔
11	1	管道襯套 (連接管道與再循環 T 型裝置)
12	1	再循環 T 型裝置
13	2	泡棉環
14-1	7	塑膠膨脹塞
14-2	7	安裝螺絲 (ST 5X50MM)
14-3	2	風管護罩安裝 (掛壁) 支架螺絲 (M4x10)
14-4	4	T 型裝置固定螺絲 (ST4x10)
15	3	泡棉條

尺寸



抽油煙機安裝

**警告！**

請參閱「安全資訊」章節

**安裝前**

在安裝本抽油煙機之前，請先將銘牌上的資訊記錄於下方的空格。銘牌是位於抽油煙機外殼的底部。

型號 _____

PNC _____

序號 _____

1. 利用水平尺在安置抽油煙機的牆壁上標示一條垂直中心線，並在抽油煙機底座位置標記一條水平線(請參閱下圖)。

註：抽油煙機機身底部的高度必須至少為 650mm 到 800mm 的最大高度。*

* 若爐盤說明上規定的距離必須大於上述最小高度，則應以其距離作為安裝的最小高度。

2. 在抽油煙機基座上方標示風管護罩掛壁支架及抽油煙機安裝點的位置以作為參考點 (圖 6)。

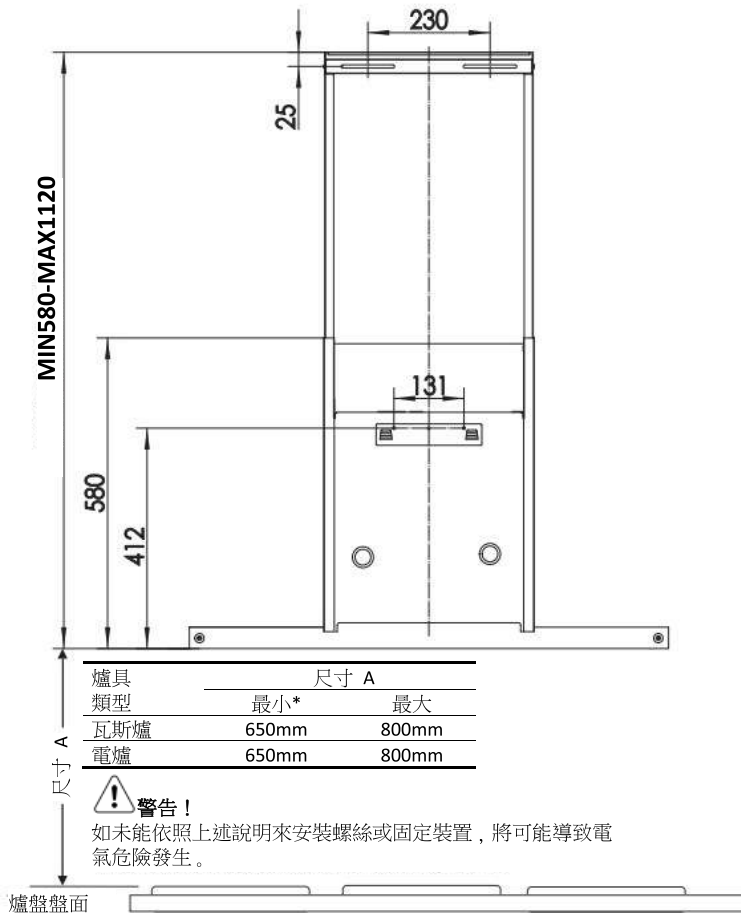


圖 6

抽油煙機安裝

3. 依照標示，用螺絲將風管護罩和(掛壁)支架安裝到牆壁上(圖 7)。若使用再循環模式，請將再循環 T 型裝置與風管護罩支架安裝在一起。(圖 9)

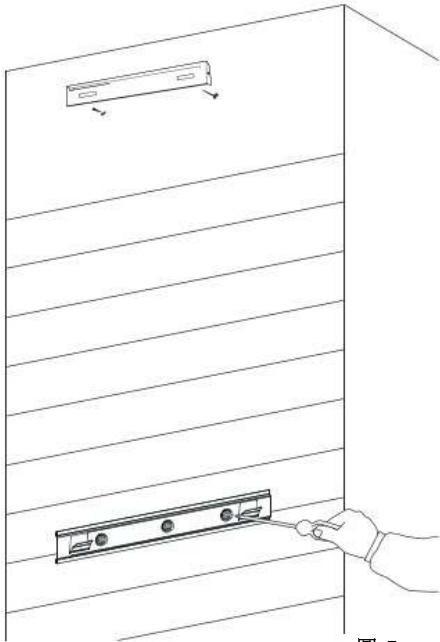


圖 7

4. 從抽油煙機機身和掛壁支架上的吊掛架，撕下塑膠護膜(如有)。

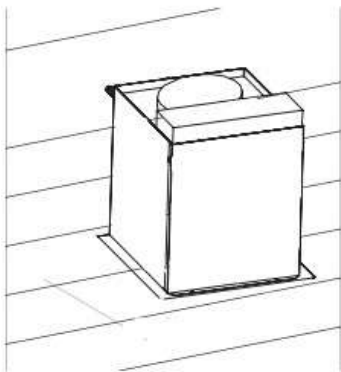


圖 8

請根據選用的安裝 / 管道模式進行下列步驟 5a 或 5b。

5a. 再循環模式 (圖 9)。

依照風管護罩尺寸，用隨附的 4 支螺絲固定 T 型裝置。如圖所示，將兩個泡棉環黏貼到 T 型裝置的出風口(圖 9)。

使用中心線，將再循環 T 型裝置和煙囪安裝(掛壁)支架固定到牆壁上。

用管道襯套連接 T 型裝置和風管過渡管道。用固定環將兩者加以固定。(圖 11)。

註：當採用再循環模式安裝時，建議使用活性炭過濾器以防異味回散到室內。

5b. 管道模式 (圖 10)。

將撓性風管安裝到過渡管道上(圖 10)。使用固定膠帶將撓性管固定到過渡管道上。

註：對於管道模式，我們建議將風管穿過屋頂延伸到戶外的「屋頂蓋」，以便將排風通至排出戶外。但我們不建議排入天花板孔洞。

註：為了確保抽油煙機的最佳效能，建議採用剛性管道且應避免採用彎管。所有管道必須是防火阻燃。

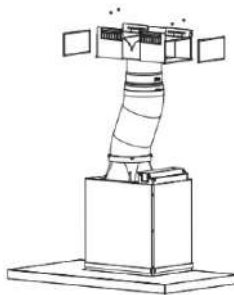


圖 9



圖 10

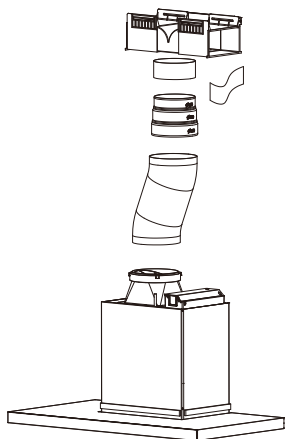


圖 11

6. 電氣連接

- 電氣配線須由合格人員依照所有適用的規範和標準進行。在配線前，請關閉供電入口 (service entrance) 的電源。
- 若電源線有損壞，請務必交由原廠商、其代理商或具備同樣資格的維修人員做更換，以免發生危險。
- 請勿使用非抽油煙機原來所附的插頭及延長線。
- 本抽油煙機必須是接地。切勿拆掉插頭的接地插。

7.

拉出式風管護罩的安裝

分離風管護罩部分。透過將內風管護罩滑入外風管護罩的方式，小心地重新組合上下風管護罩部分。將組合好的上下風管護罩放到抽油煙機機身的頂面上。用隨附的螺絲將上風管護罩固定到安裝 (掛壁) 支架上。

確保上護罩部分已延伸至定位 (圖 12)。

註：小心地從風管護罩上撕下塑膠護膜 (如有)。撕下貼花上的塑膠護膜時，請特別小心。

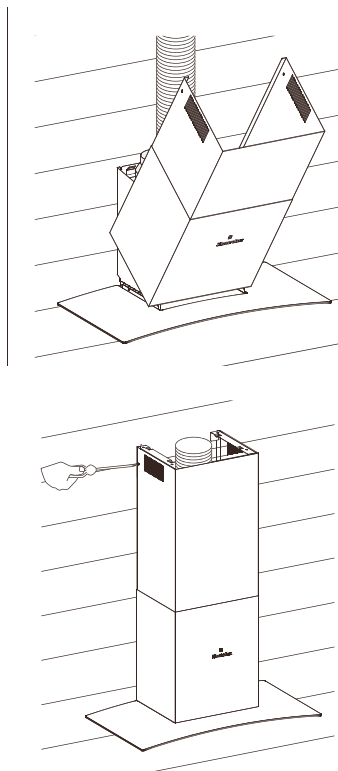
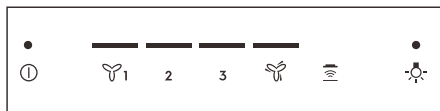


圖 12

現在您的 Electrolux 抽油煙機可以使用了

使用抽油煙機

ECT9754H



風扇 - 選擇適合不同烹飪方式的風速

ⓘ	- 風扇開關
1 (☪️1)	- 加熱食物帶鍋蓋煮食、輕炒、輕沸時
2 (☪️2)	- 多個烹飪區使用帶鍋蓋進行烹飪、煎炒、煮沸時。
3 (☪️3)	- 煮沸、不帶鍋蓋煎炒大量食物、在多個烹飪區上烹飪、燒烤、密集煎炒、炒鍋烹飪時
強力設定 (ⓘ)	- 煮沸、不帶鍋蓋煎炒大量食物及高濕度時,適合產生大量油煙的烹飪 當以最大速度運行時,抽油煙機將在1分鐘後返回到之前的設置。
☀️	- 照明燈

開啟風扇

按下 ⓘ 將以風扇速度 2 或上次使用的風扇速度（強力設定除外）運行，並且指示燈亮起。

關閉風扇

按下 ⓘ 將在任何風扇速度下關閉抽油煙機。

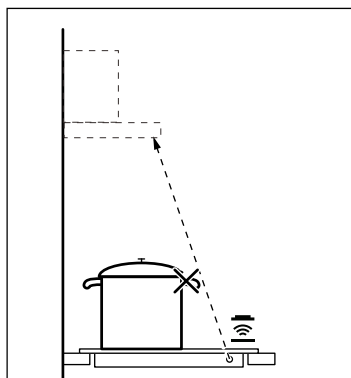
Hob2Hood自動感應功能

這是一項先進的自動感應功能,可將電磁爐連接到特定的抽油煙機。電磁爐和抽油煙機均配有紅外線訊號通訊器。風扇的風速是根據模式設置和電磁爐上最熱的爐具溫度自動設定。您也可以通過電磁爐手動操作風扇。

Hob2Hood自動感應功能的提示

當您使用電磁爐的 Hob2Hood自動感應功能時：

1. 保護抽油煙機面板免受陽光直射。
2. 不要遮蓋電磁爐面板。
3. 不要干擾電磁爐和抽油煙機之間的訊號（例如用手或爐具手柄）。
4. 當電磁爐觸發 Hob2Hood自動感應功能時，ⓘ 和 ☀️ 指示燈會亮起。這表明Hob2Hood自動感應功能處於活動狀態。



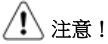
重要!

其他遙控設備可能會阻擋訊號。為避免這種情況,請勿同時遙控設備和操作電磁爐。

抽油煙機設有Hob2Hood自動感應功能

查找設有此功能的全系列抽油煙機,請參閱我們的消費者網站。具有此功能的抽油煙機必須有該符號 ⓘ 或 ☀️。

保養及清潔



注意！

- 在進行保養或清潔之前，應先斷開抽油煙機的電源供應。確保已拔除牆壁插座上的插頭（如有安裝），抽油煙機已關機。
- 由於外部表面容易刮傷和磨損，因此請確實按照清潔說明，以確保在不損壞的情況下達到最佳的清潔效果。
- 請務必按照這些說明，以避免火災發生的危險。

不銹鋼表面

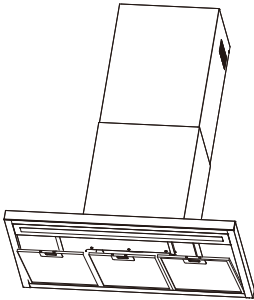
請使用不銹鋼專用的非磨蝕性清潔產品來清潔不銹鋼表面。請用力平均且順著不銹鋼的紋理，以確保最佳的清潔效果。使用柔軟抹布可降低刮傷的風險。若抹布是濕的，請務必再使用乾的柔軟抹布擦拭表面一次，以降低表面出現任何銹蝕的風險。

控制面板表面

關於控制面板，可使用溫熱的肥皂水清潔。在清潔之前，請確保抹布已擰乾。清潔之後，請使用乾的柔軟抹布清除任何多餘的水分。

拆下金屬油脂過濾器

將油脂過濾器推向抽油煙機的左側，然後將其往下拉出。



手洗

篩網過濾器，可在溫熱的肥皂水中用手清潔。以溫水加些清洗液浸泡。對於頑固的油脂污漬，可使用軟質尼龍刷幫助清除這些污漬。清潔之後，請確保過濾器完全乾燥後再重新安裝。

洗碗機

將油脂過濾器放入洗碗機內。選擇最強的清洗程序和最高溫度（至少 65）。待油脂過濾器完全乾燥後，再將其重新安裝。當用洗碗機清洗金屬油脂過濾器時，過濾器可能會有輕微的褪色，但這並不會對其效能產生任何的影響。

更換燈泡

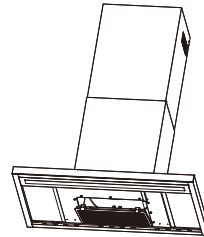
燈泡為壽命長的 LED 燈泡且應無需維修。若是燈泡有問題時，請聯絡服務中心（詳細的服務聯絡資訊如第 12 頁所示）。

活性炭過濾器

- 若您想在再循環模式下使用抽油煙機時，才應使用活性炭過濾器。
- 一般來說，此種過濾器不能清潔或重複使用，且每 3 個月應更換活性炭過濾器。

安裝過濾器時，請將其鎖定直到聽到咔嗒聲就可以了。

拉出每個門扣，請將過濾器向下傾斜，然後拆下



- 訂購更換用的過濾器時，請務必註明抽油煙機的型號代碼和序號。此筆資訊顯示於抽油煙機內側的銘牌上。
- 您可透過當地的備用零件中心訂購需更換的活性炭過濾器，詳細的聯絡資訊如第 12 頁所示。

故障排除

故障問題	解決方法
抽油煙機無法啟動	請檢查抽油煙機是否接上電源 請檢查是否已選擇風速
抽油煙機無法運作	請檢查風扇轉速是否設定得夠高而足以運作 油脂過濾器乾淨 廚房是通風良好足以引入新鮮空氣 若是設定為再循環，請檢查活性炭過濾器是否仍有效用 若是設定為抽排，請檢查管道和出風口是否堵塞 請勿在沒使用鍋具情況下操作爐具 請勿使用爐具做澆酒烹飪
抽油煙機於操作時關機	安全切斷裝置已經跳脫 - 關閉爐盤且待該裝置重置若是抽油煙機的安裝低於安裝說明所示高度，則馬達將會經常停機，如此可能會損壞抽油煙機

若已完成上述檢查卻仍然遇到困難未能解決，請與當地的 Electrolux 服務中心聯絡。

註：本產品有安裝安全切斷裝置。

- 若是抽油煙機的安裝過於靠近爐具，則澆酒烹飪、沒使用烹飪器具下操作爐具及過濾器堵塞都可能啟動安全切斷裝置。若抽油煙機於操作時停止運作，請修正錯誤並靜待安全切斷裝置重置。然後，抽油煙機應會正常運作。
- 請勿在沒使用鍋具情況下操作爐具
- 請勿使用爐具做澆酒烹飪

消費者關懷中心

<p>Thailand Consumer Care Tel : (+66 2) 725 9000 Electrolux Thailand Co., Ltd. Electrolux Building 14th Floor 1910 New Phetchaburi Road, Bangkapi, Huai Khwang, Bangkok 10310 Office Tel : (+66 2) 7259100 Office Fax : (+66 2) 7259299 Email : customercareshai@electrolux.com</p>	<p>Singapore Consumer Care Center Tel: (+65) 6727 3699 Electrolux S.E.A. Pte Ltd. 351 Braddell Road #01-04, 351 On Braddell Singapore 579713 Email : customer-care.sin@electrolux.com</p>
<p>Indonesia Hotline service: 08041119999 PT. Electrolux Indonesia Electrolux Building Jl.Abdul Muis No.34, Petojo Selatan, Gambir Jakarta Pusat 10160 Email:customercareshai@electrolux.co.id SMS & WA : 0812.8088.8863</p>	<p>Philippines Consumer Care Center Toll Free: 1-800-10-845-CARE(2273) Consumer Care Hotline:(+63 2)845-CARE(2273) Electrolux Philippines,Inc. Unit B 12F Cyber Sigma Bldg, Lawton Avenue, McKinley West,Taguig, Philippines 1634 Trunkline:+63 2 737-4757 Website:www.electrolux.com.ph Email:wecare@electrolux.com</p>
<p>Vietnam Consumer Care Center Toll Free 1800-58-88-99 Tel: (+84 28) 39105465 Electrolux Vietnam Ltd. Unit 1&2, 10F Sofic Tower, #10 Mai Chi Tho Street, Thu Thiem Ward, Thu Duc City, Ho Chi Minh City, Vietnam</p>	<p>Malaysia Consumer Care Center Tel: 1300-88-11-22 Electrolux Home Appliances Sdn. Bhd. Corporate Office Address: Unit T2-7, 7th Floor, Tower 2, PJ33, No. 3, Jalan Semangat, Seksyen 13, 46200 Petaling Jaya, Selangor. Office Tel : (+60 3) 7843 5999 Office Fax : (+60 3) 7955 5511 Consumer Care Center Address: Lot C6, No. 28, Jalan 15/22, Taman Perindustrian Tiong Nam, 40200 Shah Alam, Selangor Consumer Care Center Fax : (+60 3) 5524 2521 Email : malaysia.customercareshai@electrolux.com</p>
<p>HONG KONG SERVICE HOTLINE: (+852) 3193 9888 DCH ELECTRICAL APPLIANCES SERVICE CENTRE 4/F, DCH BUILDING, 20 KAI CHEUNG ROAD, KOWLOON BAY, HONG KONG EMAIL: customercareshai@dch.com.hk WEBSITE: www.electrolux.com.hk</p>	

www.electrolux.com

The Thoughtful Design Innovator.

Do you remember the last time you opened a gift that made you say, “Oh! How did you know? That’s exactly what I wanted!” That’s the kind of feeling that we at Electrolux seek to evoke in everyone who chooses or uses one of our products. We devote time, knowledge, and a great deal of thought to anticipating and creating the kind of appliances that our customers really need and want.

This kind of thoughtful care means innovating with insight. Not design for design’s sake, but design for the user’s sake. For us, thoughtful design means making appliances easier to use and tasks more enjoyable to perform, freeing our customers to experience the ultimate 21st century luxury: ease of mind. Our aim is to make this ease of mind more available to more people in more parts of their everyday lives, all over the world.

The “Thinking of you” promise from Electrolux goes beyond meeting the needs of today’s consumers. It also means we’re committed to making appliances safe for the environment—now and for future generations.

Electrolux. Thinking of you.

Share more of our thinking at
www.electrolux.com

