



ECT9744H

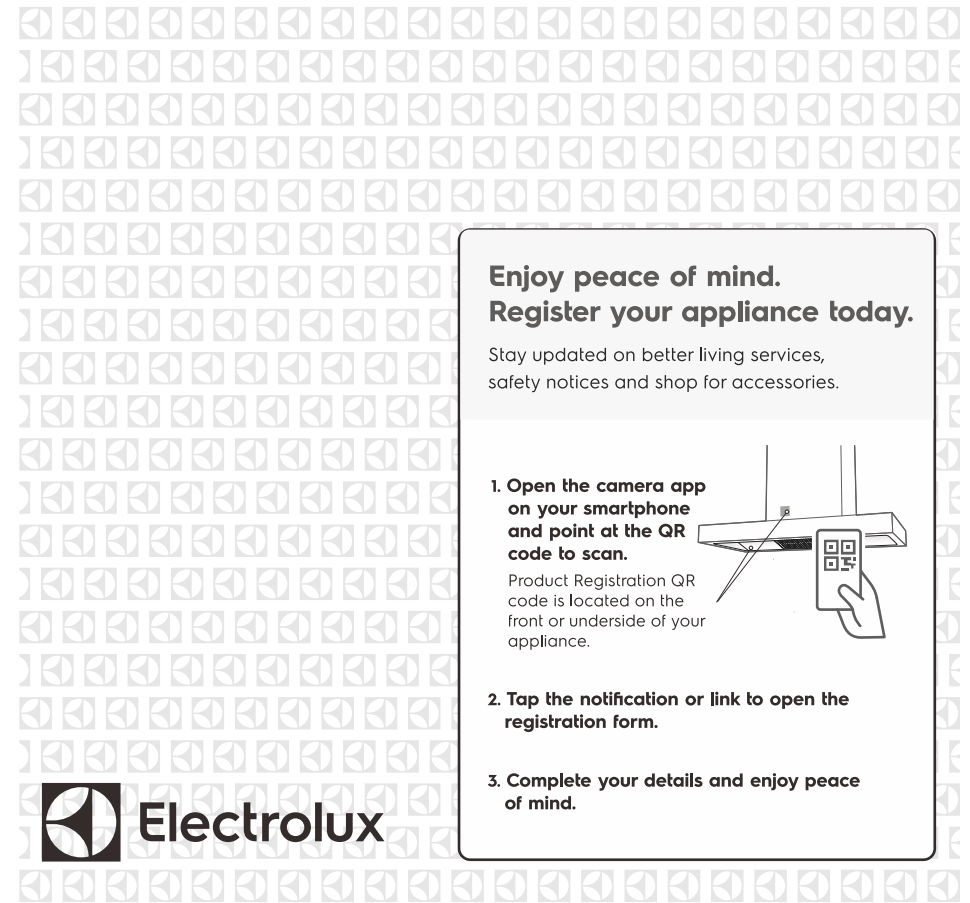
EN Cooker hood  
ภาษาไทย เครื่องดูดควัน

User Manual  
คู่มือการใช้งาน

2  
14



ECT9744H-A-20230705

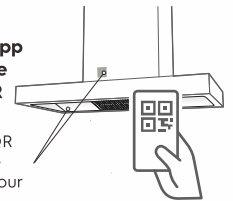


**Enjoy peace of mind.  
Register your appliance today.**

Stay updated on better living services,  
safety notices and shop for accessories.

1. Open the camera app on your smartphone and point at the QR code to scan.

Product Registration QR code is located on the front or underside of your appliance.



2. Tap the notification or link to open the registration form.
3. Complete your details and enjoy peace of mind.



**WE'RE THINKING OF YOU**

Thank you for purchasing an Electrolux appliance. You've chosen a product that brings with it decades of professional experience and innovation. Ingenious and stylish, it has been designed with you in mind. So whenever you use it, you can be safe in the knowledge that you'll get great results every time. Welcome to Electrolux.

**BEFORE USING YOUR APPLIANCE**

Before you use the rangehood, we recommend that you read through the whole user manual which provides the description of the rangehood and its functions. To avoid the risks that are always present when you use an electrical appliance, it is important that the rangehood is installed correctly and that you read the safety instructions carefully to avoid misuse and hazards.

For future reference, please store this booklet in a safe place.

**CONDITIONS OF USE**

This appliance is intended to be used in household and similar applications such as

- Staff kitchen areas in shops, offices and other working environments
- Farm houses
- By clients in hotels, motels and other residential type environments
- Bed and breakfast type environments

**BEFORE YOU CALL**

Please ensure you read the instruction manual fully before you call for service, or a full service fee could be applicable.

**RECORD MODEL AND SERIAL NUMBER HERE:**

Model: \_\_\_\_\_

Serial NO: \_\_\_\_\_

**CONTENTS**

- 3 **Safety information**
- 4 **Product description**
- 5 **Dimensions**
- 6 **Rangehood installation**
- 9 **Using the rangehood**
- 10 **Maintenance and cleaning**
- 11 **Troubleshooting**
- 12 **Consumer Care Center**

**LEGEND**

 **WARNING!**

This symbol indicates information concerning your personal safety

 **CAUTIONS!**

This symbol indicates information on how to avoid damaging the rangehood.

 **IMPORTANT!**

This symbol indicates tips and information about use of the rangehood.

 **ENVIRONMENT!**

This symbol indicates tips and information about economical and ecological use of the rangehood.

**RoHS**  
Compliant.

If at any time in future you need to dispose of this product please do Not dispose of this product with household waste, please send this product to collecting points where available


**This product is RoHS compliant.**

**SAFETY INFORMATION**

This manual explains the proper use of your new Electrolux canopy rangehood. Please read this manual carefully before using the product. This manual should be kept in a safe place for handy reference.

This rangehood is a domestic appliance which has been manufactured and tested to comply with International Standard IEC 60335.2.31.














Read the following carefully to avoid damage or injury.

 This symbol indicates never to do this

 This symbol indicates always do this

 **WARNING!**

Follow these instructions carefully to avoid an electric shock or fire.

-  Young children should be supervised to ensure they do not play with the rangehood.
-  This appliance is not intended for use by persons (including children) with reduced physical, sensory or mental capabilities, or lack of experience and knowledge, unless they have been given supervision or instruction concerning the use of the appliance by a person responsible for their safety.
-  Ensure the rangehood is switched off before carrying out maintenance, to avoid any possibility of electric shock.
-  Never carry out flambe cooking under the rangehood.
-  This rangehood is not recommended for barbecues.
-  This rangehood cannot be installed for external use.
-  Grease filters must be removed every two weeks (maximum) for cleaning to reduce the risk of fire.
-  The exhaust from the rangehood must not be discharged into any heating flue, which may carry combustion products from other sources.(Fig.1)
-  The exhaust air must not be discharged into a wall cavity, unless the cavity is designed for the purpose.
-  There must be adequate ventilation of the room when the rangehood is used at the same time as appliances burning gas or other fuels.
-  Always cover lit gas burners with pots or pans when rangehood is in use.
-  Always switch off gas burners before you remove pots or pans.
-  Do not leave lit gas burners exposed due to the risk of fire.(Fig.2)

**Electrical connection**

Check that the mains voltage matches with the voltage on the data plate inside the rangehood. Check that the installation complies with standards of local building, gas and electrical authorities. Before connecting to the mains supply ensure that the mains voltage corresponds to the voltage on the rating plate inside the rangehood. If the supply cord is damaged, it must be replaced by the manufacturer or its service agent or similarly qualified person in order to avoid a hazard.

**Safety warnings For the installer**

When installing the rangehood, make sure you adhere to the minimum and maximum distances from the rangehood base to the hob surface (as per table on page 6).

**Exhaust flue installation:** The following rules must be strictly followed to obtain optimal air extraction.

- Keep exhaust flue short and straight
- Do not reduce the size or restrict exhaust flue.
- Keep bends in the exhaust flue to a minimum.
- When using flexible flue always install duct with helix pulled taut to minimise pressure loss.
- Failure to observe these basic instructions will drastically reduce the performance and increase the noise levels of the range hood.

Exhaust air must not be discharged into a wall cavity, unless the cavity is designed for the purpose. The exhaust from the cooker hood must not be discharged into any heating flue, which may carry combustion products from other sources.

*NOTE: Some installations may require the telescopic exhaust cover to be cut to length. Cut with sharp tin snips or a fine-tooth hack saw blade, taking care not to distort or dent the exhaust cover.*

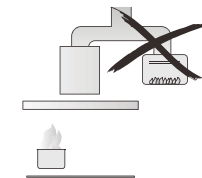


Fig. 1

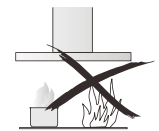
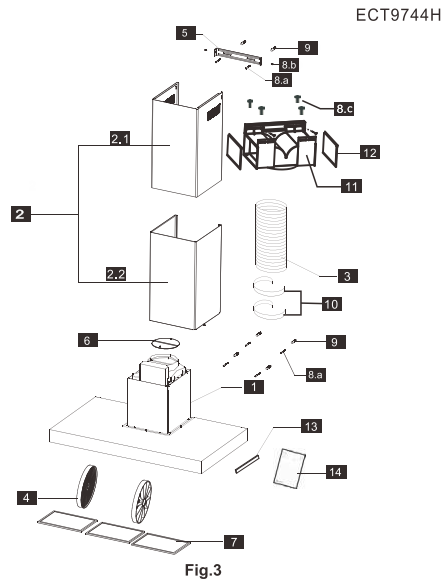


Fig. 2

## PRODUCT DESCRIPTION

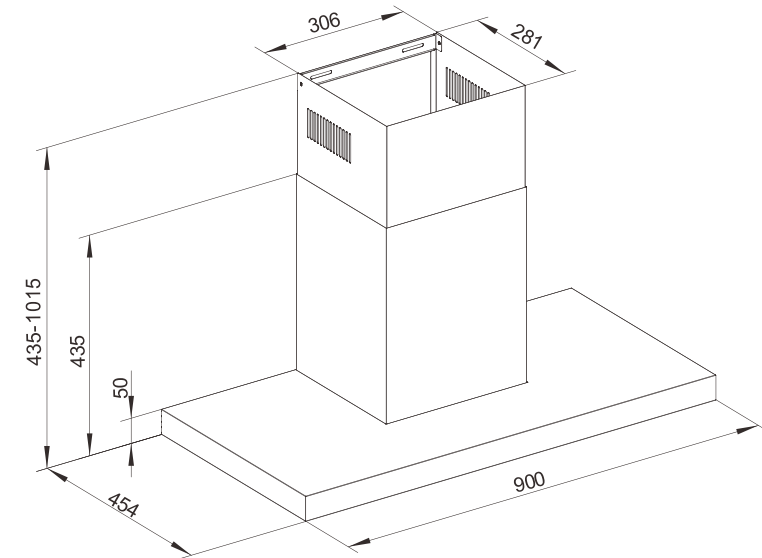


## COMPONENTS

Ref	Q'ty	Product Components
1	1pc	Hood body, complete with: controls, lights, blower
2	1set	Flue Cover sections
2.1	1pc	Inner Flue Cover
2.2	1pc	Outer Flue Cover
3	1pc	Aluminum Exhaust Transition Duct
4	2pcs	Carbon filter
5	1pc	Flue Cover Mounting Bracket
6	1set	Damper (flaps)
7	3 pcs	Aluminium mesh filter
8, a	8pcs	Mounting Screws (ST4.8 X 40 MM)
8, b	2pcs	Flue cover Mounting Bracket Screws (M 4 X 6 MM)
8, c	4pcs	Recirculating T-pieces screws
9	8pcs	Drywall Anchors
10	2pcs	Duct Fixing tape
11	1set	Recirculating T-pieces
12	2pcs	T-pieces sponge
13	1pc	Sponge strip
14	1pc	Instruction manual

## DIMENSIONS

ECT9744H



## RANGEHOOD INSTALLATION

**WARNING!**

Refer to "Safety information" chapter

**BEFORE INSTALLATION**

Before the installation of the appliance, record the information below from the rating plate. The rating plate is on the bottom of the appliance casing.

Model \_\_\_\_\_

PNC \_\_\_\_\_

Serial number \_\_\_\_\_

- Using a spirit level mark a vertical centre line on the wall where the cooker hood is to be positioned, and a horizontal line at the cooker hood base position (refer diagram below).

*NOTE: The height of the underside of the hood body must be a minimum of 650mm\* to a maximum height of 800mm*

\* If the instructions of the hob specify a greater distance than the minimum above, then that shall be the minimum height for installation.

- Mark the location for flue cover wall mounting brackets and cooker hood mounting points above the hood base as the reference point (Fig.6).

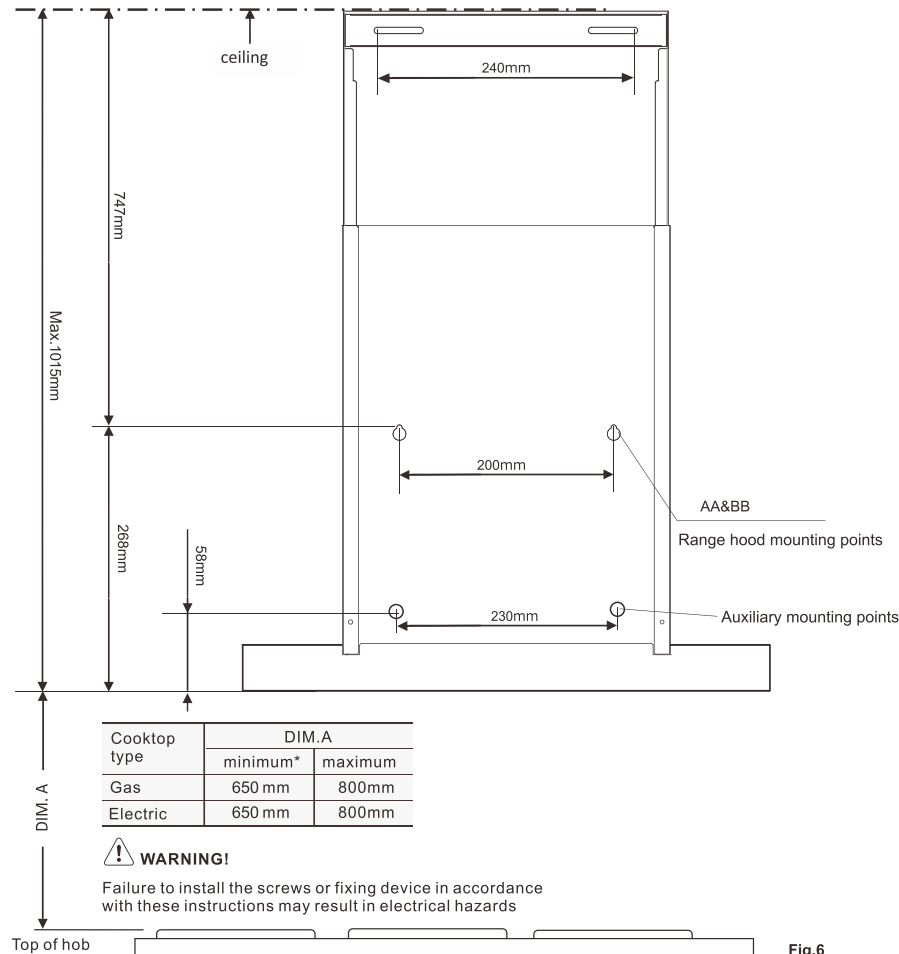


Fig.6

## RANGEHOOD INSTALLATION

- Install the flue cover mounting bracket with screws to the wall as marked (Fig.7). Please mounted recirculating T pieces together with flue cover bracket if recirculating mode is used. (Fig.12)

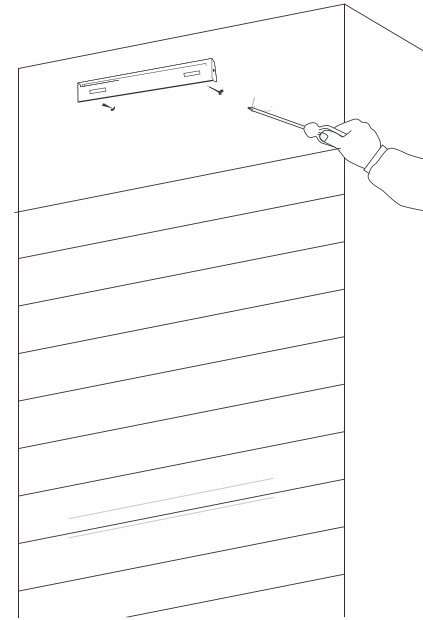


Fig.7

- Using a 9mm drill bit, enlarge the pilot holes and insert the plastic wall anchors (BB) into the wall along the line as reference point. Insert screws and leave a 5mm (Fig.8) gap between the wall and the back of the screw head to slide the range hood into place. Ensure the screws and anchors (AA and BB) are parallel with the horizontal line.

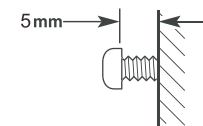


Fig. 8

- Hook the hood body (A) onto the screws (AA and BB) mounted onto the wall and securely tighten the screws (AA and BB) to secure the hood body (A) on the wall. Peel off the backing and stick sponge strip to the front side of the fan housing as shown (Fig.9)

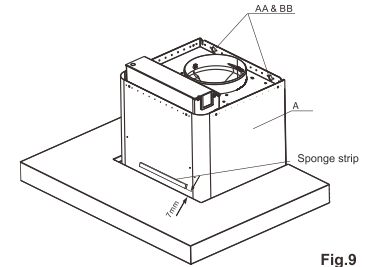


Fig.9

- Install two additional hood body mounting screws (AA) into the auxiliary mounting holes to secure the hood body (A) in place.

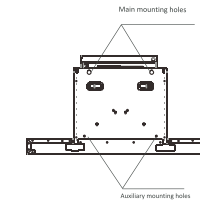


Fig.10

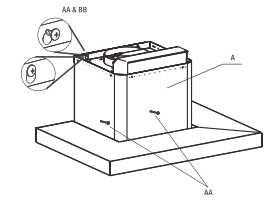


Fig.11

Depending on the preferred installation/ducting mode follow step 7a or 7b below.

**7a. Recirculating mode (Fig.12)**

According to the flue cover dimension, Fix the T-piece by 4 screws supplied. adhesive two sponge to the outlet of T-piece as shown (Fig.12).

Using the centre line, secure the recirculating T-piece and Chimney mounting bracket to the wall. Install flexible pipe between T-piece and flue transition duct. Use fixing ring to secure flexible pipe to T-Piece and transition duct (Fig.14).

*NOTE: When installed in recirculating mode, it is recommended to use a carbon filter to prevent odours being emitted back into the room.*

**7b. Ducted mode (Fig.13)**

Fit the flexible flue to the duct transition (Fig.13) . Use fixing tape to secure flexible pipe to the duct transition.

*NOTE: For ducted mode, we recommend extending flue pipe through the roof to external" roof cap" to vent exhaust externally. We do not recommend venting into ceiling cavity.*

## RANGEHOOD INSTALLATION

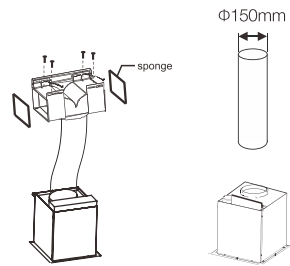


Fig.12

Fig.13

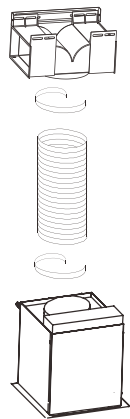


Fig.14

## 8. Electrical connection

- Electrical wiring must be done by a qualified person(s) in accordance with all applicable codes and standards. Turn off electrical power at service entrance before wiring.
- If the power cord is damaged, it must be replaced by manufacturer, its agent or similarly qualified persons in order to avoid hazard.
- Do not use the plug and an extension cord other than the ones initially supplied with the hoods.
- The earthing of this hood is compulsory. Do not remove the ground prong of the plug.

## 9. Installation of telescopic flue covers

Separate the flue covers section. Carefully reassemble the upper and lower flue covers sections by sliding the inner into the outer flue cover. Carefully lower the assembled upper and lower flue covers onto the top of cooker hood body. Fix upper flue cover to the mounting bracket with screws supplied. Ensure that the upper section is extended (Fig.15).

**NOTE:** Carefully remove the plastic protective coating, if present, from the flue covers. Pay particular attention when removing protective plastic coating from decals.

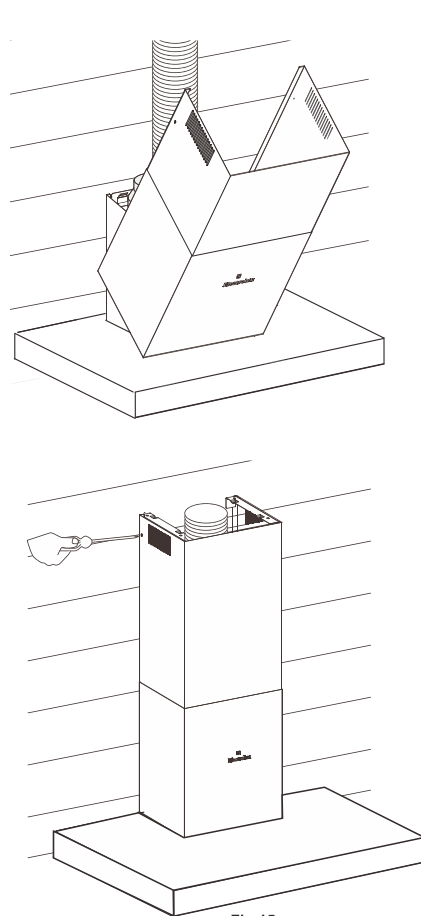
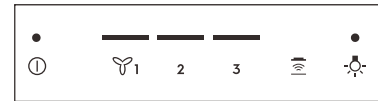


Fig.15

Your Electrolux rangehood is now ready to use

## USING THE RANGEHOOD

ECT9744H



## Hints and Tips for Hob2Hood function

When you operate the hob with Hob2Hood function:

- Protect the hood panel from direct sunlight.
- Do not spot halogen light on the hood panel.
- Do not cover the hob panel.
- Do not interrupt the signal between the hob and the hood (for example with a hand or a cookware handle).

When Hob2Hood is triggered by hob, the ⓘ and ☀ indicators will be on. This indicates that the Hob2Hood is active.

## Standby mode

When connecting the rangehood to the power supply for the first time or after power is returned after power outage all symbols on the control panel will light up and a "beep" will sound once. Following this, the control panel goes to standby mode and the rangehood will be ready for use.

## Turning on the fan

Pressing the ⓘ will turn on the hood at fan speed 2 or the last used fan speed (except for Power Boost speed) with the light on.

## Turning off the fan

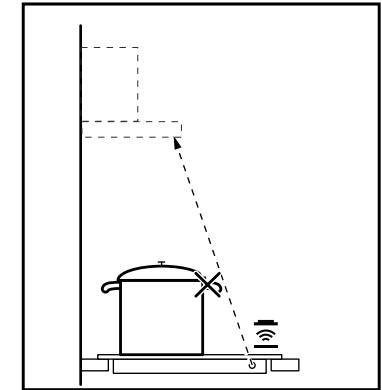
Pressing the ⓘ will turn off the hood at any fan speed.

## Fan – select speed to suit cooking conditions

- ⓘ – Fan on/off
- 1 (☀) – While heating up food, cooking with covered pots, light frying, light boiling
- 2 (☀) – While cooking with covered pots on multiple cooking zones or burners, frying, boiling  
While boiling, frying big quantities of food without a lid,
- 3 (☀) – cooking on multiple cooking zones or burners, grilling, intensive frying, wok cooking
- ☀ – Light

## Hob2Hood ⓘ

This is an advanced automatic function which connects the hob to a special hood. Both the hob and the hood have an infra-red signal communicator. Speed of the fan is defined automatically on basis of mode setting and temperature of the hottest cookware on the hob. You can also operate the fan from the hob manually.


 **IMPORTANT!**

It may happen that other remote controlled appliances may block the signal. To avoid it do not operate the remote of the appliance and the hob at the same time.

Rangehoods with the Hob2Hood function  
To find the full range of rangehoods which work with this function refer to our consumer website. The rangehoods that work with this function must have the symbol ⓘ or ☀.

## MAINTENANCE AND CLEANING

### ⚠ CAUTION!

- Before maintenance or cleaning is carried out, the rangehood should be disconnected from the main power supply. Ensure that the rangehood is switched off at the wall socket and the plug removed if fitted.
- External surface are susceptible to scratches and abrasions, so please follow the cleaning instructions to ensure the best possible result is achieved without damage.
- These instructions must be followed to avoid a fire risk.

#### Stainless steel surface

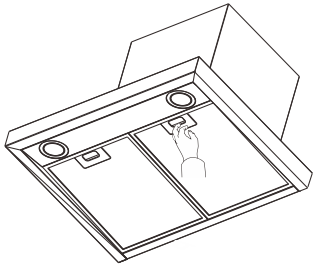
Clean stainless steel surface using non-abrasive cleaning products that specifically for use on stainless steel. To ensure best results also use an even pressure and follow the grain of the stainless steel. Use of a soft cloth reduces the risk of scratching. If the cloth is wet ensure that a dry soft cloth is used to wipe down the surface again reducing the risk of any surface rust appearing.

#### Control panel surface

The control panel can be cleaned using warm soapy water. Ensure the cloth is well wrung before cleaning. Use a dry soft cloth to remove any excess moisture left after cleaning.

#### Removing the metal grease filters

Push the grease filter towards the left side of the unit and then pull it down.



#### Metal grease filter

The purpose of the grease filters is to absorb grease particles which form during cooking and it must always be used, either in the external extraction or internal re-circulation function.

Attention: the metal grease filters must be removed and washed, either by hand or in the dishwasher, every two weeks

#### Hand washing

The mesh filters can be cleaned by hand in warm soapy water. Soak in warm water and some washing up liquid. For stubborn grease stains use a soft nylon brush to help remove these stains. After cleaning ensure that the filters are completely dry before refitting.

#### Dishwasher

Place grease filters in the dishwasher. Select the most powerful washing program and highest temperature, at least 65. Refit the grease filters when they are dry. When washing the metal grease filter in the dishwasher a slight discolouration of the filter can be occur, this does not have any impact on its performance.

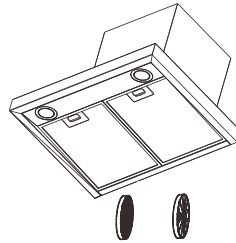
#### Changing the lamps

Lamps are long life LED lamps and should not require service. If there is an issue with lamp please contact the Service Center, Service contact details shown on page 12.

#### Carbon filter

- The Carbon filter should only be used if you want to use the cooker hood in the recirculating mode.
- This filter cannot be cleaned or re-used and as general rule, the activated Carbon filter should be changed one every 3 months.

To fit the filter, lock it until stop click is heard  
Pulling out each latch, tilt the filter down and remove



- Always specify the cooker hood model code number and serial number when ordering replacement filters. This information is shown on the registration plate located on the inside of this unit.
- Replacement charcoal filters can be ordered from your local Spare Parts centre, contact details are shown on page 12.

## TROUBLESHOOTING

Problem	Remedy
The cooker hood will not start	Check that the hood is connected to an electrical supply Check that a fan speed has been selected
The Rangehood is not working	Check that the fan speed is set high enough for the task The grease filters are clean The kitchen is adequately vented to allow the entry of fresh air If set up for recirculation, check that the carbon filter is still effective If set up for extraction, check that the duct and outlets are not blocked Do not operate cooktop without pots/pans Do not flambe under cooktop
The rangehood has switched off during operation	The safety cut-out device has been tripped-turn off the hob and wait for the device to reset .instructions the motor will cut out frequently which will damage the hood.

If you have completed all the above checks and are still experiencing difficulty, please contact your local Electrolux Service Centre.

*Note: This product is fitted with a safety cutout device.*

- If the rangehood is installed too close to the cooker top, flambe cooking, operating the cooktop without cooking utensils and blocked filters may activate the safety cutout device. If the hood stops during operation, correct the faults and allow time for the safety cutout device to reset. Then the rangehood will function correctly.

- Do not operate cooktop without pots/pans
- Do not flambe under cooktop

## CONSUMER CARE CENTER

<p>Thailand Consumer Care Tel : (+66 2) 725 9000 Electrolux Thailand Co., Ltd. Electrolux Building 14th Floor 1910 New Phetchaburi Road, Bangkapi, Huai Khwang, Bangkok 10310 Office Tel : (+66 2) 7259100 Office Fax : (+66 2) 7259299 Email : customercaresin@electrolux.com</p>	<p>Singapore Consumer Care Center Tel: (+65) 6727 3699 Electrolux S.E.A. Pte Ltd. 351 Braddell Road #01-04, 351 On Braddell Singapore 579713 Email : customer-care.sin@electrolux.com</p>
<p>Indonesia Hotline service: 08041119999 PT. Electrolux Indonesia Electrolux Building Jl.Abdul Muis No.34, Petojo Selatan, Gambir Jakarta Pusat 10160 Email:customercaresid@electrolux.com SMS &amp; WA : 0812.8088.8863</p>	<p>Philippines Consumer Care Center Toll Free: 1-800-10-845-CARE(2273) Consumer Care Hotline:(+63 2)845-CARE(2273) Electrolux Philippines,Inc. Unit B 12F Cyber Sigma Bldg, Lawton Avenue, McKinley West,Taguig, Philippines 1634 Trunkline:+63 2 737-4757 Website:www.electrolux.com.ph Email:wecare@electrolux.com</p>
<p>Vietnam Consumer Care Center Toll Free 1800-58-88-99 Tel: (+84 28) 39105465 Electrolux Vietnam Ltd. Unit 1&amp;2, 10F Sofic Tower, #10 Mai Chi Tho Street, Thu Thiem Ward, Thu Duc City, Ho Chi Minh City, Vietnam</p>	<p>Malaysia Consumer Care Center Tel: 1300-88-11-22 Electrolux Home Appliances Sdn. Bhd. Corporate Office Address: Unit T2-7, 7th Floor, Tower 2, PJ33, No. 3, Jalan Semangat, Seksyen 13, 46200 Petaling Jaya, Selangor. Office Tel : (+60 3) 7843 5999 Office Fax : (+60 3) 7955 5511 Consumer Care Center Address: Lot C6, No. 28, Jalan 15/22, Taman Perindustrian Tiong Nam, 40200 Shah Alam, Selangor Consumer Care Center Fax : (+60 3) 5524 2521 Email : malaysia.customercaresin@electrolux.com</p>
<p>HONG KONG SERVICE HOTLINE: (+852) 3193 9888 DCH ELECTRICAL APPLIANCES SERVICE CENTRE 4/F, DCH BUILDING, 20 KAI CHEUNG ROAD, KOWLOON BAY, HONG KONG EMAIL: customercare@dch.com.hk WEBSITE: www.electrolux.com.hk</p>	

## www.electrolux.com

### The Thoughtful Design Innovator.

Do you remember the last time you opened a gift that made you say, "Oh! How did you know? That's exactly what I wanted!" That's the kind of feeling that we at Electrolux seek to evoke in everyone who chooses or uses one of our products. We devote time, knowledge, and a great deal of thought to anticipating and creating the kind of appliances that our customers really need and want.

This kind of thoughtful care means innovating with insight. Not design for design's sake, but design for the user's sake. For us, thoughtful design means making appliances easier to use and tasks more enjoyable to perform, freeing our customers to experience the ultimate 21st century luxury: ease of mind. Our aim is to make this ease of mind more available to more people in more parts of their everyday lives, all over the world.

The "Thinking of you" promise from Electrolux goes beyond meeting the needs of today's consumers. It also means we're committed to making appliances safe for the environment—now and for future generations.

Electrolux. Thinking of you.

Share more of our thinking at  
[www.electrolux.com](http://www.electrolux.com)



### ด้วยความห่วงใยผู้ใช้งานทุกท่าน

ขอขอบคุณที่เลือกซื้อเครื่องใช้ไฟฟ้าจากอีเล็คทริกส์  
ท่านได้เลือกผลิตภัณฑ์ที่มาตรฐานกับประสมการระดับมืออาชีพ  
เล่นนวัตกรรมที่ล้ำสมัยเป็นเวลากว่าหลายทศวรรษ ผลิตภัณฑ์ของเรา  
เราได้รับการออกแบบให้มีความสร้างสรรค์และทันสมัย โดยคำนึง  
ถึงท่านเป็นหลัก เพื่อให้เมื่อใดก็ตามที่ท่านใช้งานผลิตภัณฑ์  
ท่านมั่นใจได้ว่าท่านจะได้รับผลิตภัณฑ์ที่ยอดเยี่ยมทุกครั้ง  
ขอต้อนรับสู่อีเล็คทริกส์

### ก่อนการใช้งานผลิตภัณฑ์ของท่าน

ก่อนที่ท่านจะเริ่มใช้งานเครื่องดูดควัน เราขอแนะนำให้ท่านอ่านคู่มือ  
การใช้งานทั้งหมดอย่างละเอียด ซึ่งจะมีการอธิบายส่วนต่างๆ  
และการใช้งานต่างๆ ของเครื่องดูดควัน เพื่อหลีกเลี่ยงความเสี่ยง  
การใช้งานผิดวิธี และอันตรายต่างๆ ที่อาจเกิดขึ้นได้เสมอจากการ  
การใช้งานเครื่องใช้ไฟฟ้า การติดตั้งเครื่องดูดควันอย่างถูกต้อง  
และการอ่านคำแนะนำด้านความปลอดภัยโดยละเอียดก่อนเริ่มใช้งาน  
จึงมีความสำคัญเป็นอย่างมาก

กรุณาเก็บคู่มือฉบับนี้ไว้ในสถานที่ปลอดภัยเพื่อใช้อ้างอิงในอนาคต

### เงื่อนไขในการใช้งาน

- ผลิตภัณฑ์นี้มีวัตถุประสงค์เพื่อนำมาใช้ในครัวเรือนและการใช้งาน  
ที่มีลักษณะใกล้เคียงกัน เช่น
- พื้นที่ห้องครัวสำหรับพนักงานในร้านค้า สำนักงาน และพื้นที่  
ทำงานอื่นๆ
  - บ้านไร่
  - โดยยกเว้นเข้าพิกัดในโรงแรม ที่พักข้างทาง และสถานที่พักอาศัย  
อื่นๆ
  - ที่พักที่มีที่นอนและอาหารเข้า

### ก่อนติดตั้งเรา

ต้องแน่ใจว่าท่านได้อ่านเนื้อหาในคู่มือการใช้งานทั้งหมดอย่าง  
ละเอียดแล้วก่อนที่ติดตั้งขอรับบริการ เพราะท่านอาจต้อง  
เสียค่าใช้จ่ายเพิ่ม

### จดหมายเลขรุ่นและหมายเลขประจำเครื่องที่นี้

รุ่น: \_\_\_\_\_  
หมายเลขประจำเครื่อง: \_\_\_\_\_

### สารบัญ

- 3 ข้อมูลด้านความปลอดภัย
- 4 คำอธิบายผลิตภัณฑ์
- 5 ขนาด
- 6 การติดตั้งเครื่องดูดควัน
- 9 การใช้งานเครื่องดูดควัน
- 10 การทำความสะอาดและการบำรุงรักษา
- 11 การแก้ไขปัญหา
- 12 ศูนย์บริการลูกค้า

### คำอธิบายสัญลักษณ์

**!** คำเตือน!  
สัญลักษณ์นี้แสดงข้อมูลที่เกี่ยวข้องกับความปลอดภัยของท่าน

**!** ข้อควรระวัง!  
สัญลักษณ์นี้แสดงข้อมูลวิธีการหลีกเลี่ยงความเสียหายที่อาจเกิด  
ขึ้นกับเครื่องดูดควัน

**i** สิ่งสำคัญ!  
สัญลักษณ์นี้แสดงข้อแนะนำและข้อมูลเกี่ยวกับการใช้งานเครื่อง  
ดูดควัน

**🍷** สิ่งแวดล้อม!  
สัญลักษณ์นี้แสดงข้อแนะนำและข้อมูลเกี่ยวกับการใช้งานเครื่อง  
ดูดควันอย่างประหยัดและเป็นมิตรต่อสิ่งแวดล้อม

**RoHS Compliant.**  
หากในอนาคตท่านจำเป็นต้องทิ้งผลิตภัณฑ์นี้ โปรดอย่าทิ้ง  
ผลิตภัณฑ์นี้รวมกับขยะในครัวเรือน โปรดนำส่งผลิตภัณฑ์นี้ให้กับ  
ศูนย์เก็บรวบรวมขยะที่มีให้บริการ

ผลิตภัณฑ์นี้เป็นไปตามข้อกำหนด RoHS

### ข้อมูลด้านความปลอดภัย

คู่มือเล่มนี้อธิบายถึงวิธีการใช้งานที่เหมาะสมสำหรับเครื่องดูดควัน  
แบบกรับจากอีเล็คทริกส์ โปรดอ่านคู่มือเล่มนี้อย่างละเอียดก่อน  
ใช้งานผลิตภัณฑ์ ควรเก็บคู่มือเล่มนี้ไว้ที่ปลอดภัย สำหรับหยิบมา  
ใช้อ้างอิงในภายหลัง

เครื่องดูดควันนี้เป็นเครื่องใช้ไฟฟ้าสำหรับใช้ในสถานที่ได้รับการผลิตและ  
ทดสอบตามมาตรฐานสากล IEC 60335.2.31

อ่านคู่มือต่อไปนี้อย่างละเอียดเพื่อหลีกเลี่ยงความเสียหายหรือการ  
ได้รับบาดเจ็บ

- ⓧ สัญลักษณ์นี้แสดงสิ่งที่ไม่ควรทำ
- ⓧ สัญลักษณ์นี้แสดงสิ่งที่ควรทำ

**!** คำเตือน!  
ปฏิบัติตามคำแนะนำเหล่านี้อย่างระมัดระวังเพื่อหลีกเลี่ยงการเกิด  
ไฟฟ้าช็อตหรือเพลิงไหม้

ⓧ	เด็กเล็กควรได้รับการดูแลเพื่อป้องกันไม่ให้เล่นกับเครื่อง ดูดควัน
ⓧ	อุปกรณ์นี้ไม่ได้มีไว้สำหรับการใช้งานโดยบุคคล (รวมถึง เด็ก) ที่มีสมรรถภาพทางกายภาพ ทางประสาทสัมผัส หรือความสามารถทางจิตใจไม่สมบูรณ์ หรือขาด ประสบการณ์และความรู้ ยกเว้นจะได้รับอนุญาตหรือ คำแนะนำเกี่ยวกับการใช้งานเครื่องจากผู้ที่รับผิดชอบ ความปลอดภัยบุคคลเหล่านี้
ⓧ	ตรวจสอบให้แน่ใจว่าได้ปิดสวิตช์เครื่องดูดควันก่อน ทำการบำรุงรักษาเพื่อป้องกันการถูกไฟฟ้าช็อต
ⓧ	ห้ามปรุงอาหารบนจุดไฟลุกท่วมใต้เครื่องดูดควัน
ⓧ	อย่าให้นำมาใช้เครื่องดูดควันรุ่นนี้สำหรับทำบาร์บีคิว
ⓧ	เครื่องดูดควันรุ่นนี้ไม่สามารถติดตั้งเพื่อการใช้งานนอก อาคารได้
ⓧ	ต้องถอดตัวกรองไขมันออกทันทีที่ความสะอาดทุกๆ 2 สัปดาห์ (สูงสุด) เพื่อลดความเสี่ยงในการเกิดเพลิงไหม้
ⓧ	ห้ามปล่อยควันจากเครื่องดูดควันเข้าไปในตู้คอนกรีตหรือ ปล่องควันที่อาจมีสารที่เกิดจากการเผาไหม้จากแหล่ง อื่นๆ (รูปที่ 1)
ⓧ	ห้ามปล่อยควันเข้าไปในช่องว่างระหว่างกำแพง ยกเว้นใน กรณีนี้ช่องนี้ได้รับการออกแบบเพื่อการนี้
ⓧ	ในห้องต้องมีระบบถ่ายอากาศที่เพียงพอเมื่อใช้เครื่อง ดูดควันพร้อมกันกับอุปกรณ์ที่ใช้แก๊ส หรือเชื้อเพลิงอื่นๆ
ⓧ	ตั้งหม้อหรือกระทะบนเตาที่จุดไฟทุกครั้งเมื่อใช้งาน เครื่องดูดควัน
ⓧ	ปิดเตาแก๊สก่อนนำหม้อหรือกระทะลงจากเตาทุกครั้ง
ⓧ	ห้ามเปิดเตาแก๊สทิ้งไว้เพราะอาจทำให้เกิดเพลิงไหม้ (รูปที่ 2)

### การเชื่อมระบบไฟฟ้า

ตรวจสอบว่าแรงดันไฟฟ้าหลักตรงกับที่ระบุในฉลากแสดงข้อมูล  
ด้านในเครื่องดูดควัน ตรวจสอบว่าการติดตั้งเป็นไปตามมาตรฐาน  
ของหน่วยงานควบคุมอาคาร การใช้กิลแล็ไฟฟ้าในท้องถิ่น  
ก่อนเชื่อมต่อกับแหล่งจ่ายไฟฟ้า ให้ตรวจสอบว่าแรงดันไฟฟ้า  
หลักตรงกับที่ระบุในฉลาก แสดงข้อมูลด้านในเครื่องดูดควัน  
ถ้าสายไฟเกิดความเสียหาย โปรดให้ผู้ผลิต ตัวแทนฝ่ายบริการ  
หรือบุคคลที่มีความชำนาญเป็นผู้เปลี่ยนสายไฟเพื่อหลีกเลี่ยง  
อันตรายจากไฟฟ้า

### คำเตือนเกี่ยวกับความปลอดภัยสำหรับผู้ติดตั้ง

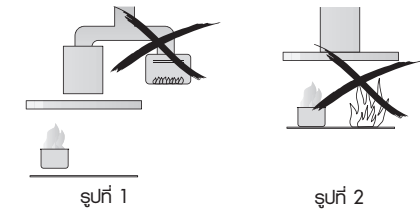
ในขณะที่ติดตั้งเครื่องดูดควัน ให้ปฏิบัติตามข้อแนะนำเกี่ยวกับ  
ระยะห่างขั้นต่ำและห่างสูงสุดจากฐานเครื่องดูดควันถึงพื้นเตา  
(ตามตารางในหน้า 6)

**การติดตั้งตู้คอนกรีต:** ต้องปฏิบัติตามข้อกำหนดต่อไปนี้  
เคร่งครัดเพื่อประสิทธิภาพสูงสุดในการดูดควัน

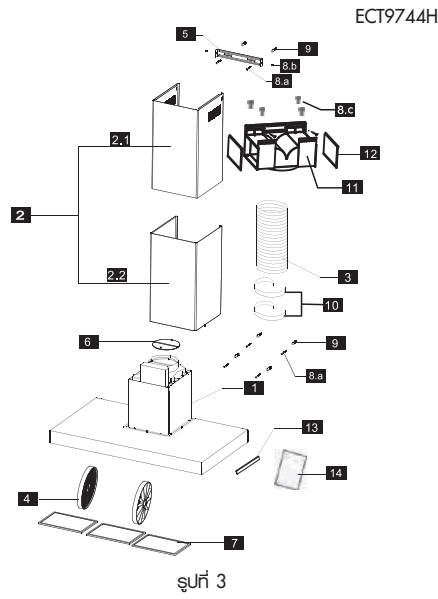
- ตู้คอนกรีตต้องสั้นและตรง
- ห้ามลดหรือจำกัดขนาดของตู้คอนกรีต
- ตู้คอนกรีตต้องมีอย่างน้อยสี่ด้าน
- เมื่อใช้ตู้คอนกรีตชนิดอ่อน ให้ติดตั้งโดยตั้งฉากต่อให้ตั้งเพื่อ  
รักษาแรงดันภายในตู้
- การไม่ปฏิบัติตามคำแนะนำพื้นฐานเหล่านี้จะทำให้เครื่องดูดควัน  
มีประสิทธิภาพลดลงมาก เราทำให้มีเสียงดังอีกด้วย

ห้ามปล่อยควันเข้าไปในช่องว่างระหว่างกำแพง ยกเว้นในกรณี  
ที่ช่องนี้ได้รับการออกแบบเพื่อการนี้ ห้ามปล่อยควันจาก  
เครื่องดูดควันเข้าไปในตู้คอนกรีตหรือปล่องควันที่อาจมีสารที่เกิด  
จากการเผาไหม้จากแหล่งอื่นๆ

*หมายเหตุ: การติดตั้งในบางจุดอาจจำเป็นต้องตัดพากรอบ  
ปล่องควันแบบปรับความยาวได้ออกให้พอดีกับความยาว  
ใช้กรรไกรตัดเส้นหรือใช้เลื่อยที่มีฟันละเอียดโดยระมัดระวัง  
ไม่ให้พากรอบปล่องควันบิดเบี้ยวหรือเสียหาย*

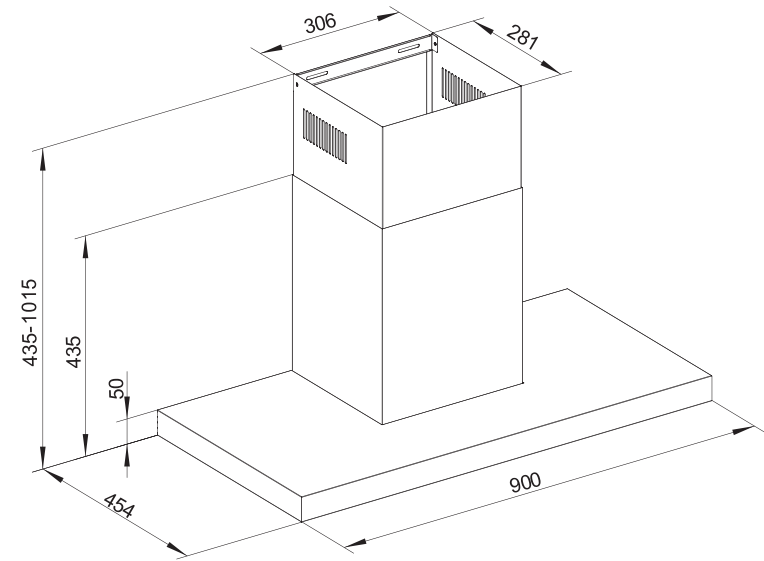






ส่วนประกอบ

หมายเลขอ้างอิง	จำนวน	ส่วนประกอบของผลิตภัณฑ์
1	1 ชิ้น	ตัวเครื่องพร้อมแผงควบคุมการทำงาน หลอดไฟ เครื่องเป่าลม
2	1 ชุด	ส่วนฟลักกรองสองชั้น
2.1	1 ชิ้น	ฟลักกรองสองชั้นด้านใน
2.1	1 ชิ้น	ฟลักกรองสองชั้นด้านนอก
3	1 ชิ้น	ถอระบายอากาศอคูมิเมียม
4	2 ชิ้น	แผ่นกรองคาร์บอน
5	1 ชิ้น	ที่ยึดฟลักกรองสองชั้น
6	1 ชุด	แถบเปอร์ (บานพับเปิด/ปิด)
7	3 ชิ้น	แผ่นรองตาข่ายอคูมิเมียม
8, a	8 ชิ้น	สกรูยึด (ST4.8 X 40 MM)
8, b	2 ชิ้น	สกรูยึดที่ยึดฟลักกรองสองชั้น (M 4 X 6 MM)
8, c	4 ชิ้น	สกรู T-piece สำหรับระบบหมุนเวียนอากาศภายใน
9	8 ชิ้น	พุกสำหรับยึดกันฟ้าฟาด
10	2 ชิ้น	เทปยึดท่อ
11	1 ชุด	T-piece สำหรับระบบหมุนเวียนอากาศภายใน
12	2 ชิ้น	ฟองน้ำ T-piece
13	1 ชิ้น	แถบยางฟองน้ำ
14	1 ชิ้น	คู่มือการใช้งาน



### การติดตั้งเครื่องดูดควัน

**⚠ คำเตือน!**  
โปรดดูหัวข้อ “ข้อมูลด้านความปลอดภัย”

**i** ก่อนการติดตั้ง

ก่อนติดตั้งเครื่องดูดควัน ให้จัดข้อมูลด้านล่างจากฉลากแสดงข้อมูล ซึ่งติดอยู่ที่ด้านหลังของโครงเครื่อง

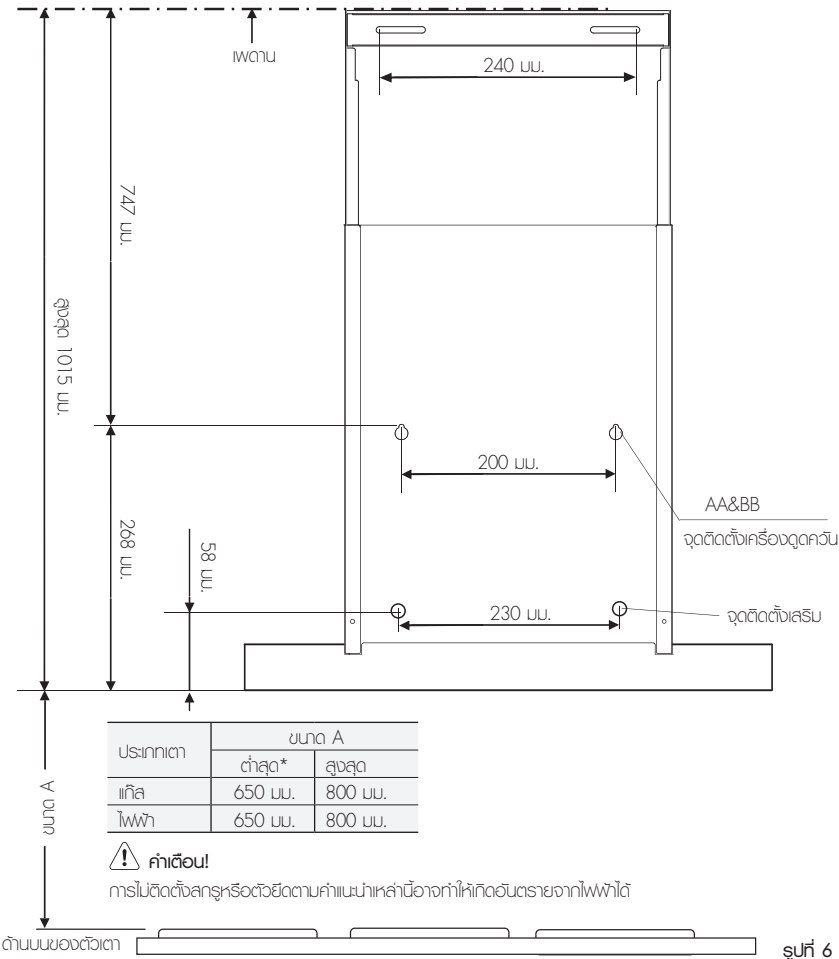
รุ่น \_\_\_\_\_  
PNC \_\_\_\_\_  
หมายเลขประจำเครื่อง \_\_\_\_\_

- 1. ใช้เครื่องวัดระดับ ชิดเส้นกึ่งกลางแนวตั้งบนผนังในตำแหน่งที่ต้องการติดตั้งเครื่องดูดควัน และขีดเส้นแนวบนในตำแหน่งของฐานเครื่องดูดควัน (ดูภาพด้านล่าง)

หมายเหตุ: ด้านล่างของตัวเครื่องต้องมีระยะห่างต่ำสุดที่ 650 มม.\* และสูงสุดไม่เกิน 800 มม.

\* หากค่าเผื่อในการติดตั้งตรงระยะห่างมากกว่าระยะข้างต้นข้างต้น ให้ใช้ความสูงขั้นต่ำดังกล่าวในการติดตั้ง

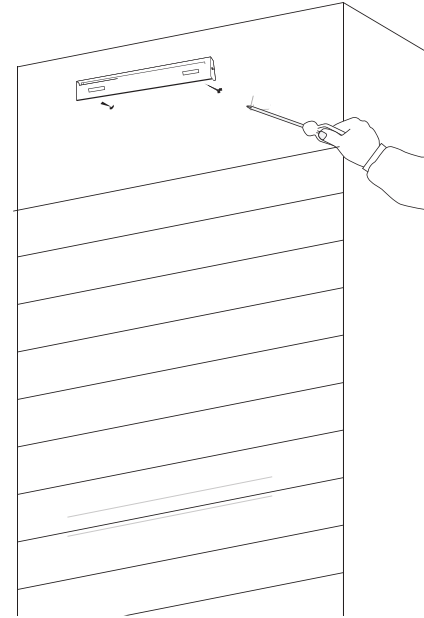
- 2. ทำเครื่องหมายจุดติดตั้งที่ยึดฟากรอบปล่องควันเข้ากับผนังและจุดติดตั้งเครื่องดูดควัน เหนือฐานตัวเครื่องไว้ใช้อ้างอิง (รูปที่ 6)



รูปที่ 6

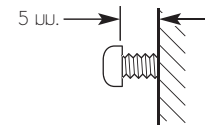
### การติดตั้งเครื่องดูดควัน

- 3. ติดตั้งที่ยึดฟากรอบปล่องควันเข้ากับผนังด้วยสลงรูตามที่ ทำเครื่องหมายไว้ (รูปที่ 7) โปรดติดตั้ง T piece สำหรับระบบหมุนเวียนอากาศภายในพร้อมกันด้วยยึดฟากรอบปล่องควัน หากใช้เครื่องดูดควันระบบหมุนเวียนอากาศภายใน (รูปที่ 12)



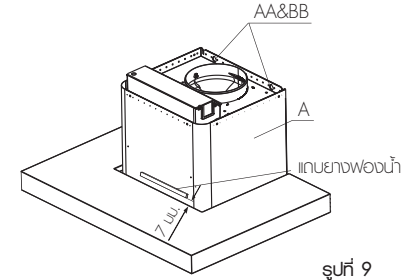
รูปที่ 7

- 4. ไขดอกสว่านขนาด 9 มม. ขยายรูนำร่องให้เล็ดลอดพุกพลาสติกยึดผนัง (BB) ลงในผนัง ไปตามเส้นที่เป็นจุดอ้างอิง ใช้สลงรู โดยเว้นระยะห่างระหว่างผนังและด้านหลังของหัวสลง 5 มม. (รูปที่ 8) เพื่อให้สื่อนเครื่องดูดควันเข้ากันได้ ตรวจสอบให้แน่ใจว่าสลงรูสลัก (AA และ BB) ขนานกับเส้นแนวบน



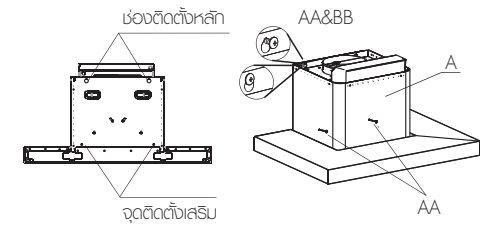
รูปที่ 8

- 5. ขนบตัวเครื่องดูดควัน (A) ลงบนสลง (AA และ BB) ที่ติดตั้งอยู่บนผนังแล้วขันสลงให้แน่น (AA และ BB) เพื่อยึดเครื่องดูดควัน (A) เข้ากับผนัง ลอกเทปกาวแถบยางพองน้ำออกและติดแถบพองน้ำเข้ากับด้านหลังของตัวโครงพัดลมตามภาพ (รูปที่ 9)



รูปที่ 9

- 6. ติดตั้งสลงยึดตัวเครื่องเพิ่มอีกสองตัว (AA) ลงในรูติดตั้งเสริมเพื่อยึดตัวเครื่อง (A) เข้าที่



รูปที่ 10

รูปที่ 11

ปฏิบัติตามขั้นตอน 7a หรือ 7b ด้านล่างนี้ ทั้งนี้ขึ้นอยู่กับระบบการดูดควันที่เลือกติดตั้ง

#### 7a. ระบบหมุนเวียนอากาศภายใน (รูปที่ 12)

ติดตั้ง T-piece ตามขนาดของฟากรอบปล่องควันโดยใช้สลงรู 4 ตัวที่ใหม่ ชิดพองน้ำสองชิ้นที่ทางออกของ T-piece ตามภาพ (รูปที่ 12)

ยึด T-piece สำหรับระบบหมุนเวียนอากาศภายในที่ยึดปล่องควันเข้ากับผนัง โดยอ้างอิงจากใช้เส้นตรงกลางติดตั้งท่ออ่อนระหว่าง T-piece และท่อระบายอากาศของปล่องควัน ใ้เรื่องแวนสำหรับติดตั้งในการยึดท่ออ่อนเข้ากับ T-piece และท่อระบายอากาศ (รูปที่ 14)

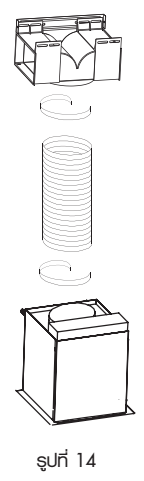
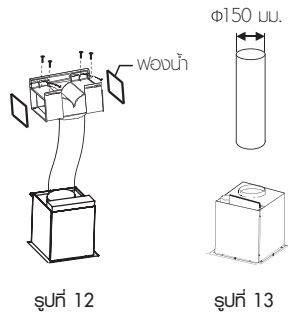
หมายเหตุ: เมื่อติดตั้งเครื่องดูดควันระบบหมุนเวียนอากาศภายใน ขอแนะนำให้ใช้แผ่นรองการนอนเพื่อป้องกันไม่ให้กลิ่นที่ปล่อยออกมาไหลกลับเข้ามาในห้อง

#### 7b. ระบบดูดควันออกไปภายนอก (รูปที่ 13)

ติดตั้งปล่องควันแบบยืดหยุ่นไม่ได้เข้ากับท่อระบายอากาศ (รูปที่ 13) ใช้เทปกาวในการยึดปล่องควันเข้ากับท่อระบายอากาศ

หมายเหตุ: สำหรับระบบดูดควันออกไปภายนอก เราขอแนะนำให้เพิ่มความยาวของท่อปล่องควัน ฟัน “หลังคา” ไปยังเพนียดครอบหลังคาเพื่อระบายควันออกไปภายนอก เราไม่แนะนำให้ระบายควันเข้าไปในช่องกำแพง

### การติดตั้งเครื่องดูดควัน



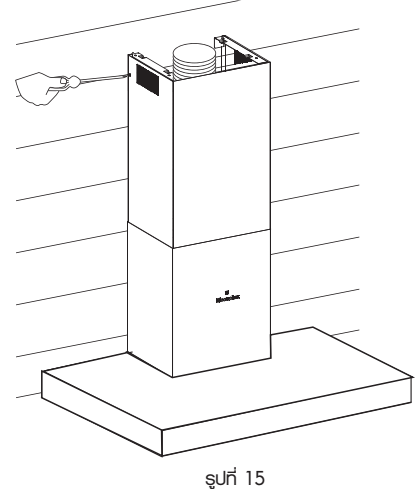
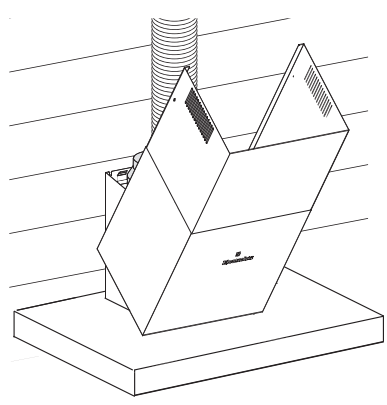
#### 8. มธือรณบไฟฟ้า

- การเดินสายไฟต้องทำโดยช่างที่มีคุณวุฒิให้สอดคล้องตามกฎหมายและมาตรฐานทั้งหมดที่บังคับใช้ ปิดสวิตช์แหล่งจ่ายไฟก่อนเดินสายไฟ
- หากสายไฟชำรุด ต้องให้บริษัทผู้ผลิต ตัวแทน หรือช่างที่มีคุณสมบัติเทียบเท่าเป็นผู้เปลี่ยน เพื่อหลีกเลี่ยงอันตรายที่อาจเกิดขึ้น
- ห้ามใช้ปลั๊กและสายไฟต่อพ่วงนอกเหนือจากที่นำมาพร้อมกับเครื่องในตอนแรก
- การต่อสายดินให้เครื่องดูดควันเป็นสิ่งจำเป็น ห้ามถอดปลั๊กการ์ดออกจากปลั๊ก

#### 9. การติดตั้งฟากรอบปล่องควันแบบปรับความยาวได้

แยกส่วนฟากรอบปล่องควัน ค่อยๆ ประกอบกลับส่วนฟากรอบปล่องควันส่วนบนและส่วนล่างด้วยการเลื่อนฟากรอบด้านในไปตามฟากรอบปล่องควันด้านนอก ค่อยๆ ลดระดับฟากรอบปล่องควันส่วนบน และส่วนล่างที่ประกอบเข้าด้วยกันแล้วลงที่ด้านบนของตัวเครื่องดูดควัน ยึดฟากรอบปล่องควันส่วนบนเข้ากับที่ยึดด้วยสกรูที่นำมา

หมายเหตุ: ค่อยๆ ไขน็อตพลาสติกกับรอยออกจากฟากรอบปล่องควัน กำไว้ ไขความรมติตรงเป็นพิศนบนเทเพนพลาสติกกับรอยออกจากสติกเกอร์ต่าง

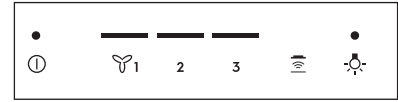


รูปที่ 15

ขณะนี้ เครื่องดูดควันอิเล็กทรอนิกส์ของท่านพร้อมใช้งานแล้ว

### การใช้งานเครื่องดูดควัน

ECT9744H



#### โหมดพร้อมใช้งาน

เมื่อเชื่อมต่อกับเครื่องดูดควันเข้ากับแหล่งจ่ายไฟเป็นครั้งแรกหรือหลังจากการเสียบปลั๊กสัปดาห์ละครั้ง หลังจากการขัดข้อง สัญญาณบ่งชี้ถึงโหมดพร้อมใช้งานจะติดสว่างเสียง “บีบ” จะดังขึ้นหนึ่งครั้ง การกดปุ่มดังกล่าวจะทำให้แผงควบคุมนี้เข้าสู่โหมดพร้อมใช้งานและสามารถใช้งานเครื่องดูดควันได้

#### เปิดพัดลม

การกด ⓐ จะเป็นการเปิดเครื่องดูดควันที่ความเร็วระดับ 2 หรือความเร็วพัดลมที่ต่ำสุด (ยกเว้นความเร็วระดับ Power Boost) พร้อมกับไฟติดสว่าง

#### ปิดพัดลม

การกด ⓐ จะเป็นการปิดตัวเครื่องที่ความเร็วพัดลมทุกระดับ

#### พัดลม - เลือกความเร็วให้เหมาะสมกับลักษณะการปรุงอาหาร

- ⓐ - เปิด/ปิดพัดลม
- 1 (๗) - ขณะอุ่นอาหาร, ปรุงอาหารในหม้อที่มีฝาปิด, กอดไฟอ่อน, ต้มไฟอ่อน
- 2 (๗) - ขณะปรุงอาหารในหม้อที่มีฝาปิด กอด ต้ม บนต่ำแหน่งวางขณะปรุงอาหารหรือเตาแก๊ส
- 3 (๗) - ขณะต้ม กอดอาหารปริมาณมากโดยไม่มีฝาปิด ปรุงอาหารบนต่ำแหน่งวางขณะปรุงอาหารหรือเตาแก๊ส การย่าง กอดโดยใช้ไฟแรง ปรุงอาหารในภาชนะกันสติก
- ⓓ - หลอดไฟ

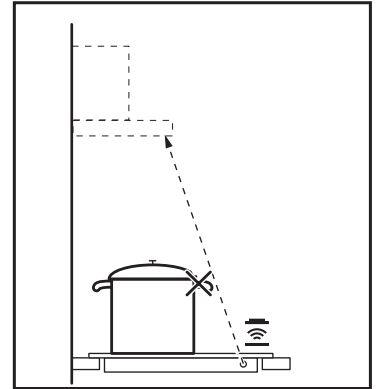
#### Hob2Hood

เป็นฟังก์ชันอัตโนมัติขั้นสูงซึ่งเชื่อมต่อกับเครื่องดูดควันแบบพิเศษ เตาและเครื่องดูดควันมีตัวรับสัญญาณอินฟราเรดความเร็วของพัดลมจะถูกกำหนดโดยอัตโนมัติตามการตั้งค่าโหมดการทำงานและอุณหภูมิของเครื่องครัวที่ร้อนที่สุดบนเตา นอกจากนี้ ท่านยังสามารถสั่งงานพัดลมด้วยตัวเองจากเตาโดยตรงได้

#### เคล็ดลับและข้อแนะนำสำหรับฟังก์ชัน Hob2Hood

เมื่อท่านใช้งานเตาที่มีฟังก์ชัน Hob2Hood:

- ปกป้องแผงควบคุมเครื่องดูดควันจากแสงแดดโดยตรง
- อย่าฉายไฟอาโหลงบนแผงควบคุมเครื่องดูดควัน
- อย่าปิดคลุมแผงควบคุมเตา
- อย่าให้สิ่งกีดขวางสัญญาณระหว่างเตาและเครื่องดูดควัน (ตัวอย่างเช่น มือหรืออุปกรณ์ด้านบนจับเครื่องครัว) เมื่อใช้งาน Hob2Hood ฟังก์ชัน ไฟแสดง ๑ และ ๓ จะติดสว่าง ไฟแสดงนี้ จะระบุว่าฟังก์ชัน Hob2Hood ทำงานอยู่



#### สิ่งสำคัญ!

อาจเกิดกรณีที่มีควันของผลิตภัณฑ์อื่นๆ ปิดกั้นสัญญาณเพื่อป้องกันกรณีดังกล่าว ห้ามใช้งานในคอนกรีตผลิตกับหินอื่นๆ และเตาพร้อมกัน เครื่องดูดควันที่มีฟังก์ชัน Hob2Hood หากต้องการค้นหาเครื่องดูดควันทุกรุ่นที่มีการทำงานร่วมกับฟังก์ชันนี้ โปรดดูที่เว็บไซต์สำหรับลูกค้าของเรา เครื่องดูดควันที่ทำงานกับฟังก์ชันนี้ต้องมีสัญญาณ ๓ หรือ ๕

### การทำความสะอาดและการบำรุงรักษา

#### ⚠️ ข้อควรระวัง!

- ก่อนดำเนินการบำรุงรักษาหรือทำความสะอาด ต้องตัดการเชื่อมต่อเครื่องดูดควันจากแหล่งจ่ายไฟหลักก่อน ตรวจสอบให้แน่ใจว่าปิดการทำงานของเครื่องดูดควัน และดึงปลั๊กออกจากเต้ารับแล้ว
- พันผิวภายนอกนี้ไว้ต่อรอยขีดข่วนและการขีด ดึงนั้น โปรดปฏิบัติตามคำแนะนำในการทำความสะอาดเพื่อให้ได้ผลลัพธ์ที่ดีที่สุดและไม่เกิดความเสียหายขึ้น
- ต้องปฏิบัติตามคำแนะนำเหล่านี้เพื่อป้องกันการเกิดเพลิงไหม้

#### พื้นผิวสเตนเลสตีล

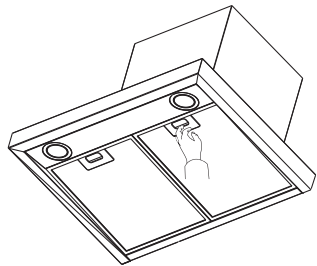
ทำความสะอาดพื้นผิวสเตนเลสด้วยใช้ผลิตภัณฑ์ทำความสะอาดที่ไม่มีฤทธิ์กัดกร่อนซึ่งเป็นผลิตภัณฑ์สำหรับใช้กับสเตนเลส โดยเฉพาะ: เพื่อผลลัพธ์ที่ดีที่สุด ให้ใช้แรงที่สม่ำเสมอเพื่อทำความสะอาดไปตามแนวสายเส้นของสเตนเลส การใช้ฟ้านุ่มจะช่วยลดการเกิดรอยขีดข่วนได้ หากเช็ดด้วยผ้าเปียก ให้ใช้ผ้าแห้งที่นุ่มเช็ดอีกครั้งเพื่อป้องกันไม่ให้เกิดคราบบนพื้นผิว

#### พื้นผิวของแผงควบคุม

ท่านสามารถทำความสะอาดแผงควบคุมโดยใช้ผ้าอ่อนนุ่มกับสบู่ ต้องบิดผ้าให้หมาดก่อนทำความสะอาด ใช้ผ้าที่แห้งนุ่มเช็ดหลังทำความสะอาดให้กลับคืนหลังหรืออยู่

#### การถอดเฟ้นกรองคาร์บอนแบบโลหะ:

ดึงเฟ้นกรองคาร์บอนนี้ไปทางด้านซ้ายของเครื่องแล้วดึงลงมา



#### เฟ้นกรองคาร์บอนไม้โลหะ:

เฟ้นกรองคาร์บอนนี้คือมีไว้สำหรับดูดซับอนุภาคไขมันซึ่งเกิดขึ้นระหว่างการปรุงอาหาร จำเป็นต้องใช้งานทุกครั้งไม่ว่าจะเป็น ฟังก์ชันดูดอากาศภายนอกหรือฟังก์ชันหมุนเวียนอากาศภายใน ข้อควรระวัง: ต้องถอดเฟ้นกรองคาร์บอนไม้โลหะเหล่านี้มาล้างทำความสะอาดด้วยตนเองหรือใช้เครื่องล้างจาน ทุกๆ 2 สัปดาห์

#### การล้างด้วยตนเอง

ท่านสามารถทำความสะอาดเฟ้นกรองตาข่ายด้วยตัวเองได้โดยใช้ น้ำอุ่นผสมกับสบู่ นำไปแช่ในน้ำอุ่นผสมน้ำยาล้างจานเล็กน้อย สำหรับคาร์บอนฟิวเจอร์ ให้ใช้แปรงไนลอนขนนุ่มในการขัดคาร์บอนนั้นออก หลังจากทำความสะอาด ต้องตากเฟ้นกรองให้แห้งสนิทก่อนใส่กลับเข้าในยังเครื่องดูดควัน

#### เครื่องล้างจาน

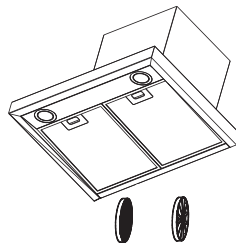
ใส่เฟ้นกรองคาร์บอนลงในเครื่องล้างจาน เลือกโปรแกรมการล้างที่ดีที่สุดและใช้อุณหภูมิสูงสุด อย่างน้อยคือ 65 องศา ใส่ตัวกรองไขมันกลับเข้าที่เมื่อแห้งสนิทแล้ว เมื่อล้างเฟ้นกรองคาร์บอนนี้แบบโลหะลงในเครื่องล้างจาน อาจทำให้เฟ้นกรองเกิดการเปลี่ยนสีเล็กน้อย ซึ่งไม่ส่งผลกระทบต่อประสิทธิภาพการทำงานของเฟ้นกรอง

#### การเปลี่ยนหลอดไฟ

หลอดไฟชนิด LED ที่มีอายุการใช้งานยาวนาน และยังเป็น ต้องการการซ่อมบำรุง หากเกิดปัญหากับหลอดไฟ โปรดติดต่อศูนย์บริการ สามารถดูรายละเอียดเกี่ยวกับการติดต่อศูนย์บริการได้จากหน้า 12

#### เฟ้นกรองคาร์บอน

- เฟ้นกรองคาร์บอนจะมีในกรณีที่ตั้งเครื่องดูดควันระบบหมุนเวียนอากาศภายในเท่านั้น
  - เฟ้นกรองคาร์บอนไม่สามารถล้างทำความสะอาดหรือนำกลับมาใช้ซ้ำได้ ต้องเปลี่ยนใหม่ทุก 3 เดือน
- สำหรับการใส่เฟ้นกรอง ให้ใส่เฟ้นกรองจนสุดจนกระทั่งได้ยินเสียงคลิก ดังสลับแต่ละด้านออก จนกระทั่งเฟ้นกรองเลื่อนลงแล้วดึงออกมา



- ต้องระบุรุ่น รหัส และหมายเลขประจำเครื่องของเครื่องดูดควัน ทุกครั้งที่สั่งซื้อเฟ้นกรอง ข้อมูลนี้ปรากฏอยู่ที่ฉลากแสดงข้อมูลที่ตั้งบนของเครื่อง
- สามารถสั่งซื้อเฟ้นกรองคาร์บอนได้จากศูนย์บริการหรือรหัสในพื้นที่ยของท่าน รายละเอียดการติดต่ออยู่ในหน้า 12

### การแก้ไขปัญหา

ปัญหา	วิธีการแก้ไข
เครื่องดูดควันไม่ทำงาน	ตรวจสอบว่าเชื่อมต่อเครื่องดูดควันเข้ากับแหล่งจ่ายไฟแล้ว ตรวจสอบว่าเลือกความเร็วพัดลมแล้ว
เครื่องดูดควันไม่ทำงาน	ตรวจสอบว่าเลือกความเร็วเพียงพอสำหรับประเภทการปรุงอาหารแล้ว เฟ้นกรองคาร์บอนมีเสียด ภายในกรณีการระบายอากาศที่เพียงพอเพื่อให้อากาศบริสุทธิ์ถ่ายเทสะดวก หากใช้ระบบหมุนเวียนอากาศภายใน ให้ตรวจสอบว่าเฟ้นกรองคาร์บอนยังคงมีประสิทธิภาพอยู่หรือไม่ หากใช้ระบบดูดควันออกไปภายนอก ให้ตรวจสอบว่าท่อระบายอากาศไม่ถูกปิดกั้น ห้ามใช้งานเตาโดยไม่ตั้งหม้อ/กระทะ ห้ามทำฟลัมเบ้ (การทำอาหารแบบใช้ไฟพว) ใต้เตา
เครื่องดูดควันมีดรอหว่าทำงาน	อุปกรณ์ตัดไฟทำงาน ให้ปิดเตาและรอจนกระทั่งอุปกรณ์ตัดไฟรีเซ็ตค่าตั้ง การที่เมื่อเตารับตัดการทำงานบ่อยๆ จะทำให้เครื่องดูดควันเสียหาย

หากท่านดำเนินการตรวจสอบตามคำแนะนำข้างต้นแล้ว และยังคงพบว่ามีปัญหาอยู่ โปรดติดต่อศูนย์บริการลูกค้าด้วยคลิกโทรศัพท์ในพื้นที่ของท่าน

หมายเหตุ: ผลิตภัณฑ์นี้มีการตัดที่อุปกรณ์ตัดไฟด้วย

- การติดตั้งเครื่องดูดควันใกล้กับเตาแก๊ส การทำอาหารแบบใช้ไฟพว (ฟลัมเบ้) การเปิดใช้เตาโดยไม่ใช้อุปกรณ์ประกอบอาหารวางอยู่  
และเฟ้นกรองที่อุดตันเป็นปัจจัยที่อาจทำให้อุปกรณ์ตัดไฟทำงาน หากเครื่องดูดควันหยุดทำงานระหว่างใช้งานอยู่ ให้แก้ไขปัญหาละระอกลุ่มหนึ่ง เพื่อให้อุปกรณ์ตัดไฟรีเซ็ต จากนั้นเครื่องดูดควันจะทำงานตามปกติ
- ห้ามใช้งานเตาโดยไม่ตั้งหม้อ/กระทะ
- ห้ามทำฟลัมเบ้ (การทำอาหารแบบใช้ไฟพว) ใต้เตา

## ศูนย์บริการลูกค้า

<p>Thailand Consumer Care Tel: (+66 2) 725 9000 Electrolux Thailand Co., Ltd. Electrolux Building 14th Floor 1910 New Phetchaburi Road, Bangkapi, Huai Khwang, Bangkok 10310 Office Tel: (+66 2) 7259100 Office Fax: (+66 2) 7259299 Email : customercareshai@electrolux.com</p>	<p>Singapore Consumer Care Center Tel: (+65) 6727 3699 Electrolux S.E.A. Pte Ltd. 351 Braddell Road #01-04, 351 On Braddell Singapore 579713 Email : customer-care.sin@electrolux.com</p>
<p>Indonesia Hotline service: 08041119999 PT. Electrolux Indonesia Electrolux Building Jl.Abdul Muis No.34, Petojo Selatan, Gambir Jakarta Pusat 10160 Email: customercaresid@electrolux.com SMS &amp; WA: 0812.8088.8863</p>	<p>Philippines Consumer Care Center Toll Free: 1-800-10-845-CARE(2273) Consumer Care Hotline:(+63 2)845-CARE(2273) Electrolux Philippines,Inc. Unit B 12F Cyber Sigma Bldg, Lawton Avenue, McKinley West,Taguig, Philippines 1634 Trunkline:+63 2 737-4757 Website:www.electrolux.com.ph Email:wecare@electrolux.com</p>
<p>Vietnam Consumer Care Center Toll Free 1800-58-88-99 Tel: (+84 28) 39105465 Electrolux Vietnam Ltd. Unit 1&amp;2, 10F Sofic Tower, #10 Mai Chi Tho Street, Thu Thiem Ward, Thu Duc City, Ho Chi Minh City, Vietnam</p>	<p>Malaysia Consumer Care Center Tel: 1300-88-11-22 Electrolux Home Appliances Sdn. Bhd. Corporate Office Address: Unit T2-7, 7th Floor, Tower 2, PJ33, No. 3, Jalan Semangat, Seksyen 13, 46200 Petaling Jaya, Selangor. Office Tel : (+60 3) 7843 5999 Office Fax : (+60 3) 7955 5511 Consumer Care Center Address: Lot C6, No. 28, Jalan 15/22, Taman Perindustrian Tiong Nam, 40200 Shah Alam, Selangor Consumer Care Center Fax: (+60 3) 5524 2521 Email : malaysia.customercares@electrolux.com</p>
<p>HONG KONG SERVICE HOTLINE: (+852) 3193 9888 DCH ELECTRICAL APPLIANCES SERVICE CENTRE 4/F, DCH BUILDING, 20 KAI CHEUNG ROAD, KOWLOON BAY, HONG KONG EMAIL: customercares@dch.com.hk WEBSITE: www.electrolux.com.hk</p>	

[www.electrolux.com](http://www.electrolux.com)

ผู้นำนวัตกรรมการออกแบบที่คำนึงถึงผู้ใช้

ท่านจำครั้งสุดท้ายที่เปิดของวุ้นแล้วตั้งกับต้องพูด “โอ้โฮ! ฐูได้ยังโง่ ฐนอยกได้พอดึลย!” ใต้หมบั้นคือความรู้สึกที่อิเลคโตรล็กซ์ต้องการให้เกิดขึ้นในตัวท่านทุกคนที่ซื้อหรือใช้งานผลิตภัณฑ์ของเราเราทุบเวลา ความรู้ และความคิดเป็นอย่างมากในการคิดค้นและรังสรรค์ผลิตภัณฑ์เครื่องใช้ไฟฟ้าที่ลูกค้าของเราจำเป็นต้องการจริงๆ

ความเอาใจใส่และความคิดคำนึงถึงนี้หมายถึงการสร้างนวัตกรรมด้วยความเข้าใจที่ลึกซึ้ง ไม่ใช่การออกแบบเพราะเห็นแก่การออกแบบ แต่เป็นการออกแบบเพราะเห็นแก่ผลประโยชน์ของผู้ใช้สำหรับเรา นั้น การออกแบบที่คำนึงถึงผู้ใช้ หมายถึง การทำให้เครื่องใช้ไฟฟ้าใช้งานง่ายยิ่งขึ้น และเพิ่มความเพลิดเพลินในการปฏิบัติงาน มอบอิสระให้ลูกค้าของเราได้สัมผัสกับที่สุดของความหรูหราแห่งศตวรรษที่ 21 ซึ่งก็คือ ความสบายใจ เป้าหมายของเราคือการทำให้ผู้คน ในทั่วยุคภูมิโลกสามารถเข้าถึงความสบายใจได้มากขึ้นในหลายๆ ส่วนของชีวิตประจำวัน

คำขวัญที่ว่า: “คำนึงถึงท่าน” จากอิเลคโตรล็กซ์นั้นเป็นมากกว่าการตอบโจทยความต้องการของพันธมิตรในทุกวันนี้ แต่ยังหมายความว่าเราบ่งมั่นที่จะทำให้เครื่องใช้ไฟฟ้ามีความปลอดภัยต่อสิ่งแวดล้อมทั้งในปัจจุบันและเพื่อนในอนาคต

อิเลคโตรล็กซ์ ด้วยความห่วงใยผู้ใช้งานทุกท่าน

ร่วมแบ่งปันความคิดอีกมากมายกับเราที่

[www.electrolux.com](http://www.electrolux.com)